

RFLEX - Coupling Large Tolerance anchored



- DN350 - DN1200 (OD 340 mm to OD 1270 mm) **
- PFA10, PFA16 **
- Grey & ductile cast iron, Steel, Pressure PVC*, PE*
- Carbon steel body coated with RILSAN[®] 11, thickness 250μ
- EPDM (drinking water/raw water) or NBR (wastewater) seal
- GEOMET steel or A2 stainless steel tie rods
- C40 GEOMET hardened steel locking pads
- Tolerance 30mm
- Angular deviation $\pm 3^\circ$ DN350-DN1000
- Angular deviation $\pm 2^\circ$ DN1100 and above
- Mechanical locking
- Hydraulic seal independent of mechanical locking

* Mandatory use of a reinforcement ring (CAN model)

** Other DN, PFA, please consult us

The RFLEX Large Tolerance Multi-Material sleeve range guarantees sealing and tensile strength on all types of cast iron/steel pipes and PVC/PE pipes from DN350 to DN1200 PFA10 to PFA16.

Very quick and easy to install, RFLEX allows independent adjustment of the locking and sealing.

Independently adjustable C40 hardened steel pads ensure locking. The clearance between the screw and the pad guarantees optimal positioning of the pad on the pipe surface when tightening. The specific shape of the teeth allows for clamping, ensuring high tear resistance. The pad can be mounted and removed without damaging the coating. Depending on the DN, the possible angular deviation is $\pm 2^\circ$ or $\pm 3^\circ$.

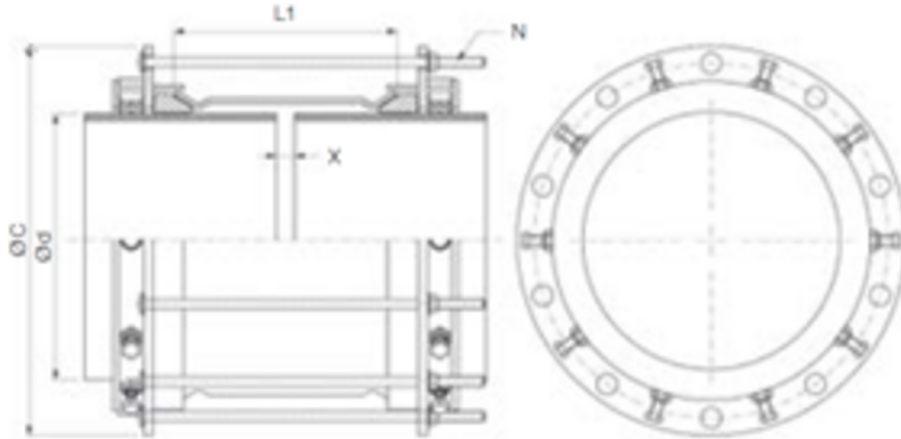
A RILSAN® 11-coated carbon steel retention and anti-disengagement ring at each end increases tear resistance by guiding the pads and preventing them from rotating. It promotes better sealing by preventing the tie rods from rotating during tightening. It also protects the pads from external contamination.

The tie rods connect the two parts of the sleeve. They compress the seals to achieve a perfect seal. The seals are truncated cones, which ensures optimal positioning on the pipe while allowing a tolerance of up to 30 mm on the outside diameter.

The part is coated with RILSAN® 11, a high-performance biological polyamide made from castor beans. This coating offers an exceptional level of versatility, safety, durability, and resistance to permeation.

DN	J Mini - Maxi	L1 (mm)	ØC (mm)	X mini/X maxi (mm)	Number	PN 10		PN 16	
						Mass (kg)	References	Mass (kg)	References
300	310-340	355	540	25-220	9	95.00	MCB30D340XDBRG	110.00	MCB30D340XDARG
350	360-390	355	560	25-220	9	105.00	MCB35D395XDBRG	128.00	MCB35D395XDARG
400	415-430	355	640	25-220	9	117.00	MCB40D445XDBRG	139.00	MCB40D445XDARG
450	465-495	355	680	25-220	12	136.00	MCB45D495XDBRG	159.00	MCB45D495XDARG
500	515-545	355	740	25-220	14	148.00	MCB50D545XDBRG	173.00	MCB50D545XDARG
600	620-650	355	828	25-220	15	175.00	MCB60D650XDBRG	202.00	MCB60D650XDARG
700	725-755	355	933	25-220	18	226.00	MCB70D755XDBRG	252.00	MCB70D755XDARG
800	825-855	355	1038	25-220	18	277.00	MCB80D855XDBRG	285.00	MCB80D855XDARG
900	930-960	355	1143	25-220	20	277.00	MCB90D960XDBRG	345.00	MCB90D960XDARG
1000	1030-1060	355	1243	25-220	22	369.00	MCC10D1060XDBRG	380.00	MCC10D1060XDARG
1000	1035-1065	355	1243	25-220	22	370.00	MCC10D1065XDBRG	392.00	MCC10D1065XDARG
1100	1135-1165	355	1348	25-220	24	403.00	MCC11D1165XDBRG	422.00	MCC11D1165XDARG
1200	1240-1270	355	1453	25-220	24	438.00	MCC12D1270XDBRG	438.00	MCC12D1270XDARG

(*) please consult us



Product description



1- Central body

Central part made of RILSAN[®] 11-coated carbon steel. The tapered ends ensure uniform compression of the seals without creep.

2- and 7- Retention and anti-disengagement ring

Made of RILSAN[®] 11-coated carbon steel, optimizes tear resistance while preventing the tie rods from rotating during tightening. It also protects the pads.

3- Seal

Tapered seal that fits perfectly between the fitting body and the pipe.

4- Bolt holes

Round or square holes for housing the bolts.

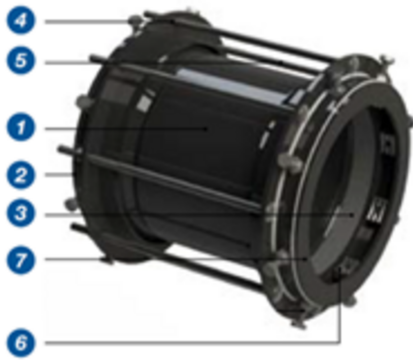
5- Compression tie rod

Made of GEOMET-coated steel or stainless steel, it brings the two compression parts together and seals the sleeve.

6- Locking pad

Made of GEOMET-coated C40 hardened steel, it locks the pipe in place with high tear-out resistance thanks to the special profile of the teeth. The clearance between the screw and the pad ensures optimal positioning of the pad on the pipe surface when tightening. The pad can be mounted and removed without damaging the coating.

Material and coatings

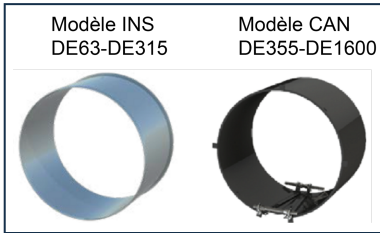


Reference	Designation	Material	Coating
1	Central body	Carbon steel	RILSAN®11
2 and 7	Retention ring	Carbon steel	RILSAN®11
3	Sealing gasket	EPDM or NBR	
4	Sliding pad	C40 hardened steel - GEOMET screw	
5	Tie rod	GEOMET steel or A2 stainless steel	

Installation instructions

See our [Installation Instructions](#)

Accessories



RFLEX - Reinforcement
rings for PE and PVC
pipes

The information on this sketch is, to the best of our knowledge correct at the time of printing. However Saint-Gobain are constantly looking at ways of improving their products and services therefore reserve the right to change without prior notice, any of the data shown. Any orders placed will be subject to our Standard Conditions of Sale, available on request.