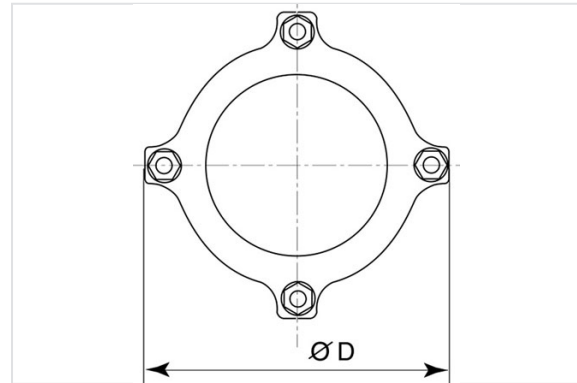
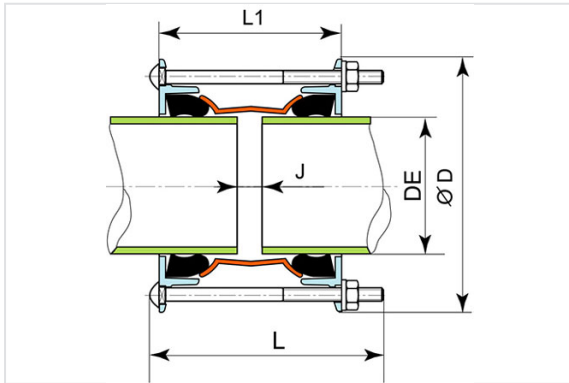


ULTRALINK coupling ultra large tolerance



Version with carbon steel screws

Type	ØDE mini (mm)	ØDE maxi (mm)	L (mm)	L1 Mini/Maxi (mm)	D (mm)	J Mini-Maxi (mm)	Mass (kg)	References
A	49	71	182	104-152 mm	176	4-20 mm	3.60	MCX65RAAHA
B	62	84	182	104-152 mm	190	4-20 mm	4.10	MCX75RAAHB
C	80	102	182	107-155 mm	208	5-20 mm	4.90	MCX90RAAHC
D	97	127	232	127-188 mm	240	7-25 mm	7.70	MCY11RAAHD
E	123	153	232	135-197 mm	267	8-25 mm	8.90	MCY14RAAHE
F	151	181	232	144-207 mm	295	9-29 mm	10.40	MCY16RAAHF
FP	170	200	262	150-214 mm	315	10-32 mm	11.50	MCY19RAAHP
G	196	226	262	159-224 mm	342	12-35 mm	13.90	MCY21RAAHG
H	211	241	262	163-228 mm	357	13-38 mm	14.80	MCY22RAAHH
I	235	265	262	171-237 mm	381	14-45 mm	16.20	MCY25RAAHY
J	260	290	292	179-246 mm	407	15-48 mm	18.10	MCY27RAAHJ
JR	285	315	292	187-255 mm	434	16-55 mm	21.30	MCY30RAAHR
K	306	336	292	194-263 mm	455	18-58 mm	22.90	MCY32RAAHK
L	318	348	292	198-267 mm	467	18-62 mm	23.70	MCY33RAAHL



Using range depending on type of pipe

Type	ULTRA		Old grey iron				Pipes Rapid		Ductile iron		Steel	PVC	Asbestos cement	
	DE mini	DE maxi	Pipes (lead joint)		Express Pipes		DN	DE	DN	DE	DE	DE	DN/class	DE
A	49	71	40	56	40	57			40	56	51 - 54 - 57	50	40CI25	60
			50	66	50	67			50	66	60,3 - 63,5 - 70	63	50 CI10	66
B	62	84	50	66	50	67	60	81.4	50	66	63,5 - 7 - 76,1	63	50 CI10, CI25	66 - 74
			60	77	60	77			60	77	82,5	75	60 CI10-15, CI25	76 - 80
C	80	102	80	98	80	98			80	98	88,9 - 101,6	90	60 CI30	84
D	97	127	100	118	100	118	80	102,2	100	118	101,6 - 108	110	80 CI25, CI30	100 - 104
							100	123			114,3 - 127	125	100 CI10-15, CI20-25	118 - 124
E	123	153	125	144	125	144	125	149	125	144	133 - 139,7	125	100 CI30	130
											141,3 - 152,4	140	125 CI10-15, CI20-25	145 - 149
F	151	181	150	170	150	170	150	175	150	170	159 - 168,3	160	125 CI30	161
											177,8		150 CI10, CI15, CI20	170 - 174 - 178
FP	170	200	175	196	175	196					177,8 - 193,7	200	150 CI15, CI20	174 - 178
													150 CI25, CI30	184 - 192
G	196	226	200	222	200	222	175	201	200	222	219,1	200	175 CI15, CI20-25, CI30	199 - 207 - 225
												225	200 CI10	220
H	211	241	200	222	200	222	200	227	200	222	219,1	225	175 CI30	225
													200 CI10, CI15, CI20-25	220 - 228 - 238
I	235	265									244,5	250	200 CI20-25, CI30	238 - 246
J	260	290	250	274	250	274	250	279	250	274	273		250 CI15	280
JR	285	315										315	250 CI20-25, CI30	292 - 306

Type	ULTRA		Old grey iron						Ductile iron	Steel	PVC	Asbestos cement		
			Pipes (lead joint)		Express Pipes		Pipes Rapid							
	DE mini	DE maxi	DN	DE	DN	DE	DN	DE	DN	DE	DE	DE	DN/class	DE
K	306	336	300	326	300	326	300	331	300	326	323,9	315	300 Cl10, Cl15	324 - 334
L	318	348	300	326	300	326	300	331	300	326	323,9		300 Cl10, Cl15	324 - 334

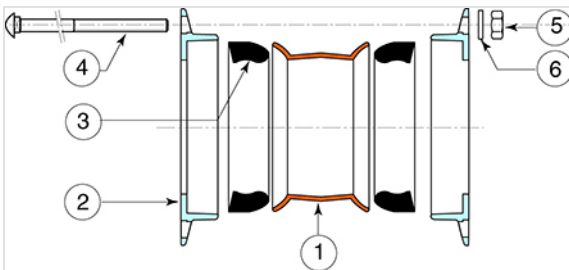
Field of use

- The range ULTRALINK is designed for the drinking water networks, the fire networks, and the irrigation networks.
- The EPDM elastomer type WC in conformity with NF EN681-1 can be used in sewage networks and rain water networks

Technical characteristics

- The ultra large tolerance coupling covers all the outside diameters of pipe (DE) from 49 to 348 mm, without discontinuity. For each model the maximum DE is higher than the minimum DE of the following model : ex: DE Maxi A = 71 DE Mini B = 62 Margin = 9 - DE Maxi H = 241 DE Mini I = 235 Margin = 6
- Possible angular deflection: 2 x 6 degrees between the two pipes (see drawing page 4).

Material and coatings



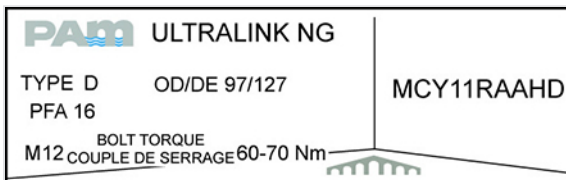
Version with carbon steel screws

Item	Component	Material	Material
1	Body	FGS	Blue epoxy powder 250 microns average thickness with a minimum of 200 microns, conforming to EN 14901-1 (PECB)
2	Gland ring	FGS	Blue epoxy powder 250 microns average thickness with a minimum of 200 microns, conforming to EN 14901-1 (PECB)
3	Sealing ring	EPDM (*)	
4	Bolt	Grade 6.8 steel	Dacromet

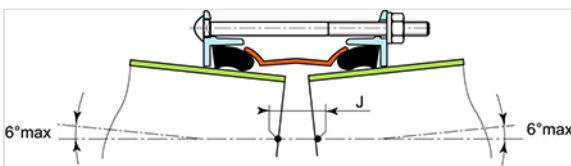
Item	Component	Material	Material
5	Nut	Grade 6.8 steel	Dacromet
6	Washer	Mild steel	Dacromet

(* EPDM elastomer type WA, WC in conformity with NF EN681-1 for drinking water networks, fire networks, irrigation networks, sewage networks and rain water networks

Marking



Installation



- The ultra large tolerance coupling covers all the outside diameters of pipe (DE) from 49 to 348 mm, without discontinuity. For each model the maximum DE is higher than the minimum DE of the following model : ex: DE Maxi A = 71 DE Mini B = 62 Margin = 9 - DE Maxi H = 241 DE Mini I = 235 Margin = 6
- Two pipes of different materials or different diameters can be connected
- Possible angular deflection of 2 x 6 degrees = 12 degrees between the two pipes.
- J measured on the axis
- Maximum angular deflection of 6° with J maxi for a section at 90° of the pipe
- Screwing of the bolts diametrically opposite to a torque included between 60 and 70 Nm

The information on this sketch is, to the best of our knowledge correct at the time of printing. However Saint-Gobain are constantly looking at ways of improving their products and services therefore reserve the right to change without prior notice, any of the data shown. Any orders placed will be subject to our Standard Conditions of Sale, available on request.