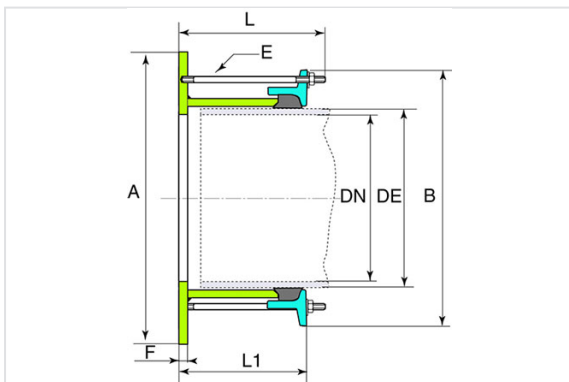


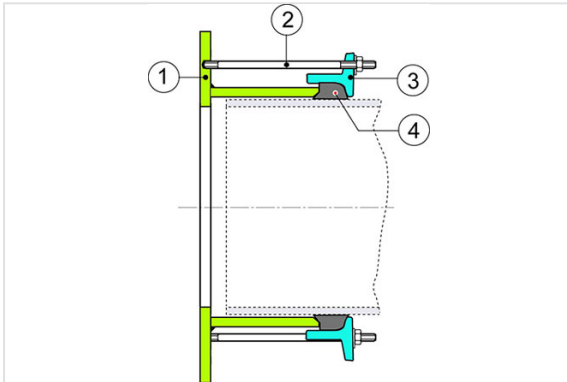
QUICK PFA10 DN350-1000



DN flange (mm)	ØDE (mm)	ØDE mini (mm)	ØDE maxi (mm)	DE tolerance (mm)	A (mm)	F (mm)	B (mm)	L (mm)	L1 (mm)	Number of bolts	Bolts	Mass (kg)	References
350	378	372.5	380.5	+2.5/-5.5	505	18	469	148	108	8	M12x140	24.20	MAB35WCBR
400	429	423.5	431.5	+2.5/-5.5	565	18	520	148	108	8	M12x140	27.90	MAB40WCBR
450	480	476	482.9	+2.9/-4	615	23	572	153	113	10	M12x140	35.70	MAB45WCBR
500	532	527.5	535.5	+3.5/-4.5	670	23	624	153	113	10	M12x140	40.30	MAB50WCBR
600	635	630	638	+3/-5	780	23	727	153	113	10	M12x140	49.20	MAB60WCBR
700	738	733.5	741.5	+3.5/-4.5	895	23	830	153	113	12	M12x140	60.20	MAB70WCBR
800	842	835	843	+1/-7	1015	23	932	153	113	12	M12x140	73.10	MAB80WCBR
900	945	939	947	+2/-6	1115	25	1054	169	134	14	M16x160	105.00	MAB90WCBR
1000	1048	1041	1049	+1/-7	1230	25	1156	169	134	14	M16x160	121.00	MAC10WCBR

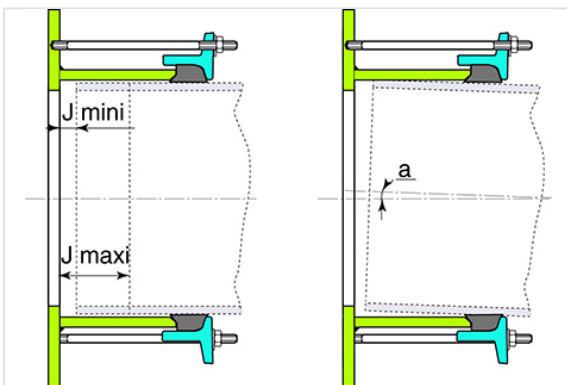


Material and coatings



Item	Component	Material	Coating
1	Flange	Steel type E28	Black Rilsan 250 microns mini
2	Screws and bolts	Steel class 8.8	Sheraplex
3	Ring	Steel type E28	Black Rilsan 250 microns mini
4	Sealing ring	EPDM	

Installation



DN mm	J mini mm	J max mm	Angular deflection a degree
350	12	25	±1.5
400	12	25	±1.5
450	12	25	±1.5
500	12	25	±1.25
600	12	25	±1.25
700	12	25	±1

DN mm	J mini mm	J max mm	Angular deflection a degree
800	12	25	±0.75
900	16	40	±0.75
1000	16	40	±0.75

* J maxi is given with the axis of the pipe in the flange adaptor axis.

- Connexion with all pieces equipped with normalized flanges in accordance with ISO 7005-2, ISO 2531, EN 1092-2.
- Mount this product with standard gaskets or metal reinforced gaskets.
- Maximum torque on gland M12: 55 to 65 Nm - M16: 95 to 115 Nm

Warning: This coupling will only be installed in a valve chamber. Do not install it in buried version

The information on this sketch is, to the best of our knowledge correct at the time of printing. However Saint-Gobain are constantly looking at ways of improving their products and services therefore reserve the right to change without prior notice, any of the data shown. Any orders placed will be subject to our Standard Conditions of Sale, available on request.