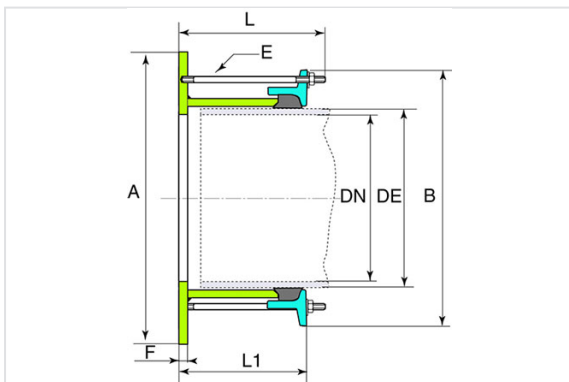


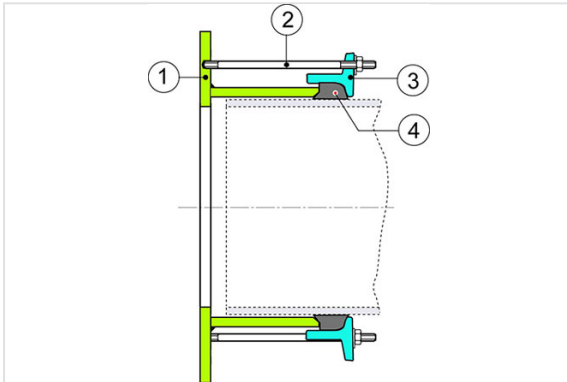
QUICK PFA16 DN350-1000



DN flange (mm)	ØDE (mm)	ØDE mini (mm)	ØDE maxi (mm)	DE tolerance (mm)	A (mm)	F (mm)	B (mm)	L (mm)	L1 (mm)	Number of bolts	Bolts	Mass (kg)	References
350	378	372.5	380.5	+2.5/-5.5	520	18	469	148	108	8	M12x140	25.40	MAB35WCAR
400	429	423.5	431.5	+2.5/-5.5	580	18	520	148	108	8	M12x140	29.50	MAB40WCAR
450	480	476	482.9	+2.9/-4	640	23	572	153	113	10	M12x140	39.60	MAB45WCAR
500	532	527.5	535.5	+3.5/-4.5	715	23	624	153	113	10	M12x140	48.00	MAB50WCAR
600	635	630	638	+3/-5	840	23	727	153	113	10	M12x140	61.70	MAB60WCAR
700	738	733.5	741.5	+3.5/-4.5	910	23	830	153	113	12	M12x140	62.60	MAB70WCAR
800	842	835	843	+1/-7	1025	23	932	153	113	12	M12x140	74.50	MAB80WCAR
900	945	939	947	+2/-6	1125	25	1054	169	134	14	M16x160	107.00	MAB90WCAR
1000	1048	1041	1049	+1/-7	1255	25	1156	169	134	14	M16x160	128.00	MAC10WCAR

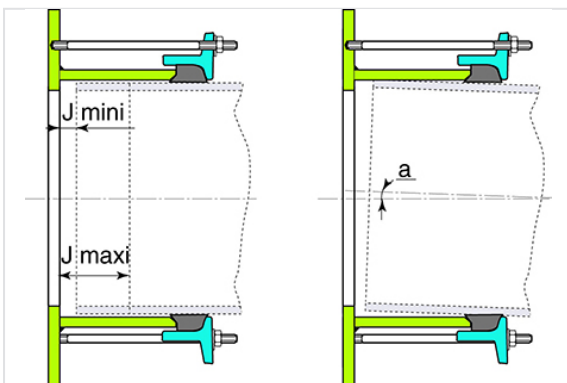


Material and coatings



Item	Component	Material	Coating
1	Flange	Steel type E28	Black Rilsan 250 microns mini
2	Screws and bolts	Steel class 8.8	Sheraplex
3	Ring	Steel type E28	Black Rilsan 250 microns mini
4	Sealing ring	EPDM	

Installation



DN mm	J mini mm	J maxi mm	Angular deflection a degree
350	12	25	±1.5
400	12	25	±1.5
450	12	25	±1.5
500	12	25	±1.25
600	12	25	±1.25

DN mm	J mini mm	J maxi mm	Angular deflection a degree
700	12	25	±1
800	12	25	±0.75
900	16	40	±0.75
1000	16	40	±0.75

* J maxi is given with the axis of the pipe in the flange adaptor axis

- Connexion with all pieces equipped with normalized flanges in accordance with ISO 7005-2, ISO 2531, EN1092-2.
- Mount this product with standard gaskets or metal reinforced gaskets.
- Maximum torque on gland M12: 55 to 65 Nm - M16: 95 to 115 Nm

Warning: This coupling will only be installed in a valve chamber. Do not install it in buried version

The information on this sketch is, to the best of our knowledge correct at the time of printing. However Saint-Gobain are constantly looking at ways of improving their products and services therefore reserve the right to change without prior notice, any of the data shown. Any orders placed will be subject to our Standard Conditions of Sale, available on request.