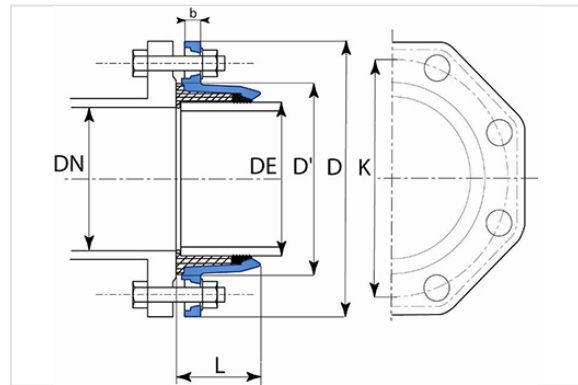
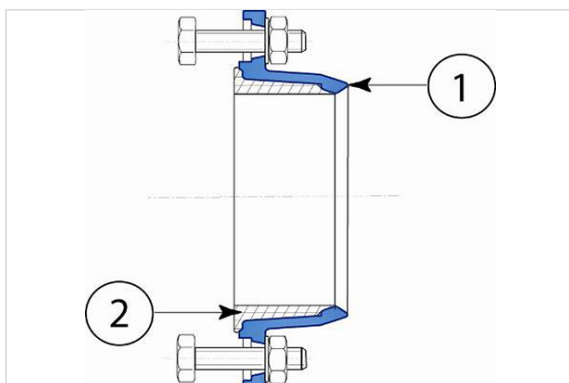


**QUICK GS DN60-200 - Anchored version with inserts**



DN flange (mm)	ØDE (mm)	L (mm)	D (mm)	D' (mm)	b (mm)	K (mm)	Mass (kg)	References
60/65	77	51	185	110	16	145	1.85	MAA60CBCH
80	98	56	200	134.5	16	160	2.30	MAA80CBCH
100	118	63	220	156	16	180	2.70	MAB10CBCH
125	144	70	250	183	16	210	3.90	MAB12CBCH
150	170	76	285	210	16	240	4.70	MAB15CBCH
200	222	90	340	265	17	295	7.25	MAB20CBCH

**Material and coatings**



1. Counter-flange: ductile iron coated with blue epoxy powder 250 microns average thickness with a minimum of 200 microns, conforming to EN 14901-1 (PECB)

2. Tightness gasket: EPDM
3. Inserts: Chromium-nickel type stainless steel

*The information on this sketch is, to the best of our knowledge correct at the time of printing. However Saint-Gobain are constantly looking at ways of improving their products and services therefore reserve the right to change without prior notice, any of the data shown. Any orders placed will be subject to our Standard Conditions of Sale, available on request.*