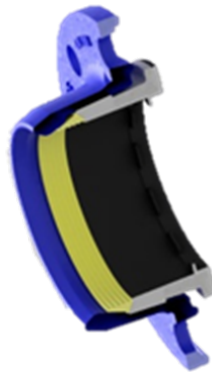


Flange adaptor eQ+ automatic restrained for PVC - PE



SIMPLE:

- One-piece assembly (Ring, spacer, gasket): no risk of losing parts, no risk of incorrect assembly
- Automatic Mounting: no need for a second set of bolts to secure and seal the plastic tube
- Positioning stop: ensures the correct positioning without the need to measure and to write a mark for the correct position
- Separator cardboard: ensures that the monoblock (spacer and EPDM gasket) is apart from the body before mounting.
- Individual mounting instructions
- Information of the tightening torque on the label
- No additional tightness ring required
- Low tightening torque

FLEXIBLE:

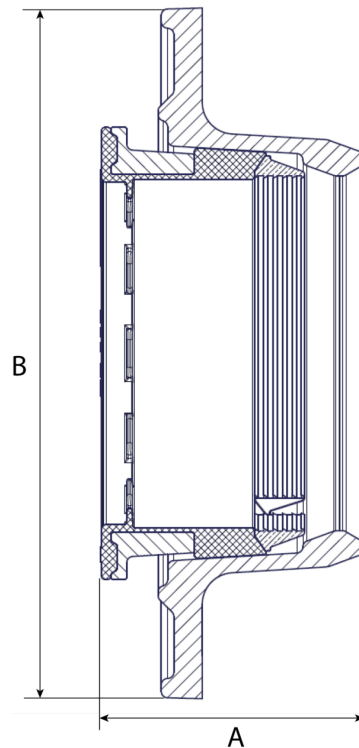
- Unique solution for PVC, PE, tubing.
- PVC U DN40-200 till PFA16 bar
- PVC BO DN110-200 till PFA16 bar for tubing DYKA BI-OROC PN16. Other: consult us
- PEHD DN40-150 till PFA 16 bar. PEHD DN200 till PFA 10 bar
- A reinforcement ring is required for HDPE DN200 tubing PFA PFA>10 bar. References hereafter.

EFFICIENT:

- Compliant with NF EN 12842 with laboratory testing COFRAC
- Sanitary compliance ACS / WRAS
- Elastomer EN 681 WA
- Epoxy anti-corrosion coating, minimum 250 µm, according to NF EN 14901-1
- Angular deflexion +/- 3°

DN (mm)	ØOD/DE (mm)	A (mm)	B (mm)	Mass (kg)	References
40	40	60	150	1.45	MAL40LBCH
40	50	62	165	1.64	MAL50LBCH
50	63	62	165	2.19	MAL60LBCH
60	63	62	185	2.10	MAL65LBCH
60	75	67	185	2.75	MAL75LBCH
80	90	71	200	3.30	MAL90LBCH
100	110	80	220	3.67	MAM11LBCH
125	125	81	250	5.01	MAM12LBCH
125	140	86	250	5.16	MAM14LBCH
150	160	98	285	6.68	MAM16LBCH
200	200	111	340	9.46	MAM20LBCH
200	225	108	340	9.08	MAM22LBCH

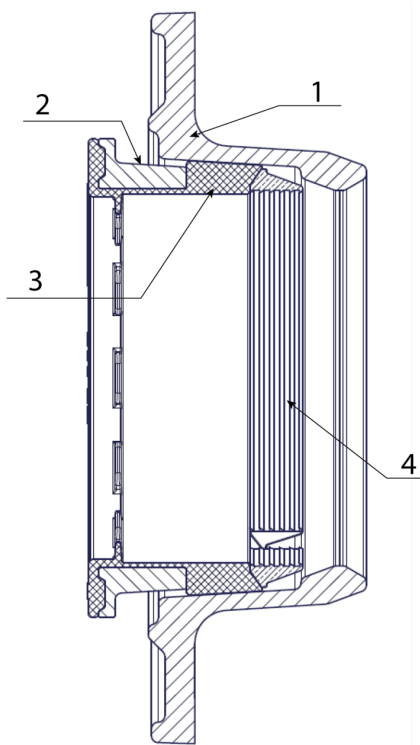
* DN200 multi-drilled flange PN10 and PN16



Field of use:

- PVC U DN40-200 till PFA16 bar
- PVC BO DN110-200 till PFA16 bar for tubing DYKA BI-OROC PN16. Other: consult us
- PEHD DN40-150 till PFA 16 bar. PEHD DN200 till PFA 10 bar
- A reinforcement ring is required for HDPE DN200 tubing PFA PFA>10 bar. References hereafter.

Material and coating:



Item	Description	Material	Coating
1	Counter-flange	Ductile Iron GS	Blue epoxy powder 250 microns with an average thickness of 250 microns and a minimum thickness of 200 microns, according to EN 14901-1 (PECB)
2	Spacer	Ductile Iron GS	Epoxy cataphoresis
3	Center sleeve	EPDM	
4	Locking ring	Brass type Cu Zn 40	

Installation:

For any flange connection type ISO 7005-2 - ISO 2531 - EN 1092-2.

[Installation instructions](#)

Reinforcement ring for PEHD DE200 and DE225 tubing PFA>10 bar

Description	ØDE/OD (mm)	PN	Référence
BR FIX-LINK PE100 SDR17	200	10	MBM20QGBZ
BR FIX-LINK PE100 SDR11	200	16	MBM20QHAZ
BR FIX-LINK PE100 SDR17	225	10	MBM22QGBZ
BR FIX-LINK PE100 SDR11	225	16	MBM22QHAZ

The information on this sketch is, to the best of our knowledge correct at the time of printing. However Saint-Gobain are constantly looking at ways of improving their products and services therefore reserve the right to change without prior notice, any of the data shown. Any orders placed will be subject to our Standard Conditions of Sale, available on request.