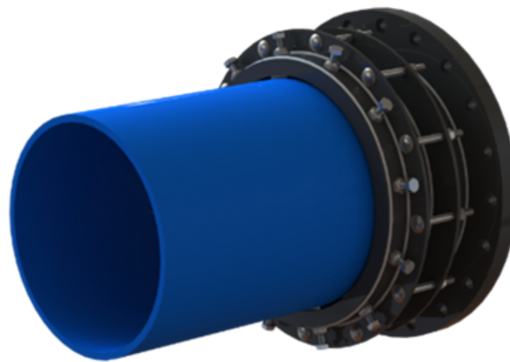


RFLEX - Flange Adaptor Large Tolerance anchored



The RFLEX range of multi-material, wide tolerance flange adaptors guarantees sealing and tensile strength on all types of cast iron/steel pipes and PVC/PE pipes from DN350 to DN1200 PN10 to PN16.

Very quick and easy to install, RFLEX allows independent adjustment of the locking and sealing mechanisms.

The independently adjustable C40 hardened steel pads ensure locking. The gap left between the screw and the pad guarantees optimal positioning of the pad on the pipe surface when tightening. The specific shape of the teeth allows for clamping that guarantees high tear resistance. The shoe can be mounted and removed without damaging the coating. Depending on the DN, the possible angular deviation is $\pm 2^\circ$ or $\pm 3^\circ$.

A RILSAN[®] 11-coated carbon steel retention and anti-disengagement ring located on the locking side increases tear resistance by guiding the pads and preventing them from rotating. It promotes better sealing by preventing the tie rods from rotating during tightening. It also protects the pads from external contamination.

The tie rods compress the seals to achieve a perfect seal. The seal is truncated conical, which ensures optimal positioning on the pipe while allowing a tolerance of up to 30 mm on the outside diameter.

The part is coated with RILSAN[®] 11, a high-performance biological polyamide made from castor beans. This coating offers an exceptional level of versatility, safety, durability, and resistance to permeation.

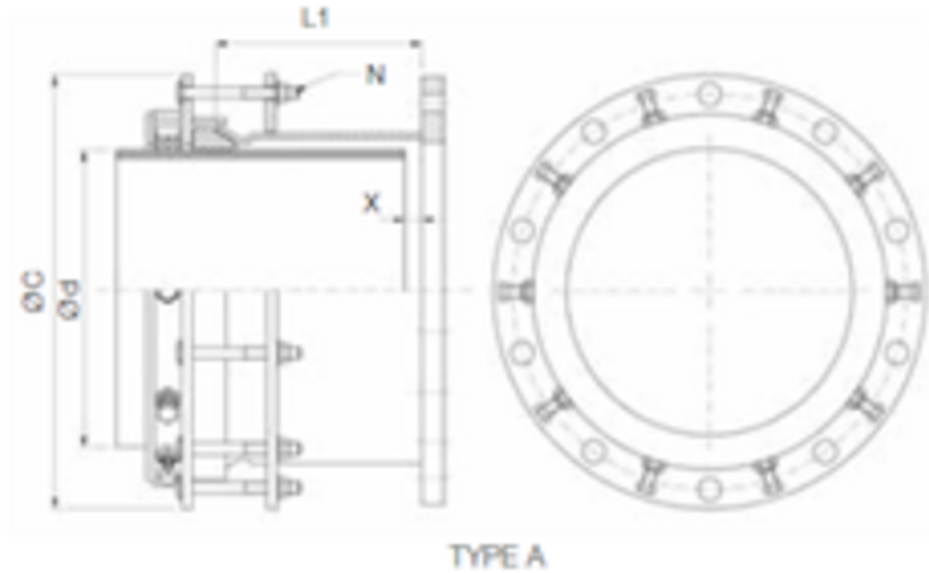
- DN350 - DN1200 (OD340mm to OD1270mm) **
- PN10, PN16 **
- Grey & ductile cast iron, Steel, Pressure PVC*, PE*
- Drinking water and raw water
- Carbon steel body coated with RILSAN[®] 11, thickness 250 μ
- EPDM gasket (drinking water/raw water) or NBR gasket (wastewater)
- GEOMET or A2 stainless steel tie rods

- C40 GEOMET hardened steel locking pads
- Tolerance 30mm
- Angular deviation $\pm 3^\circ$ DN350-DN1000
- Angular deviation $\pm 2^\circ$ DN1100 and above
- Mechanical locking
- Hydraulic seal independent of mechanical locking

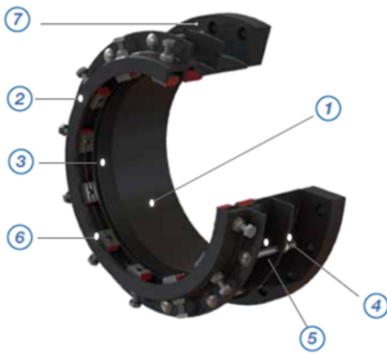
* Mandatory use of a reinforcement ring (CAN model)

** For other DN, PN, PFA, please contact us

DN	J Mini - Maxi	L1 (mm)	ØC (mm)	Number	X mini/X maxi (mm)	PN 10		PN 16	
						Mass (kg)	References	Mass (kg)	References
300	310-340	296	540		25-220	92.00	MAB30D340XDBRG	105.00	MAB30D340XDARG
350	365-395	296	560		25-220	109.00	MAB35D395XDBRG	136.00	MAB35D395XDARG
400	415-445	296	640		25-220	127.00	MAB40D445XDBRG	157.00	MAB40D445XDARG
450	465-495	296	680		25-220	148.00	MAB45D495XDBRG	195.00	MAB45D495XDARG
500	515-545	296	740		25-220	165.00	MAB50D545XDBRG	213.00	MAB50D545XDARG
500	520-550	296	750		25-220	214.00	*	213.00	MAB50D550XDARG
600	620-650	296	828		25-220	207.00	MAB60D650XDBRG	265.00	MAB60D650XDARG
700	725-755	296	933		25-220	255.00	MAB70D755XDBRG	291.00	MAB70D755XDARG
800	825-855	296	1038		25-220	315.00	MAB80D855XDBRG	346.00	MAB80D855XDARG
900	930-960	296	1143		25-220	366.00	MAB90D960XDBRG	440.00	MAB90D960XDARG
1000	1030-1060	296	1243		25-220	460.00	MAC10D1060XDBRG	510.00	MAC10D1060XDARG
1000	1035-1065	296	1252		25-220	460.00	MAC10D1065XDBRG	525.00	MAC10D1065XDARG
1200	1240-1270	296	1453		25-220	580.00	MAC12D1270XDBRG	610.00	MAC12D1270XDARG



Product description



1- Central body

Central part made of RILSAN[®] 11-coated carbon steel. The tapered ends ensure uniform compression without creep of the seals.

2- Retention and anti-disengagement ring

Made of RILSAN[®] 11-coated carbon steel, it optimizes tear resistance while preventing the tie rods from rotating during tightening. It also protects the pads.

3- Seal

Tapered seal that fits perfectly between the fitting body and the pipe.

4- Bolt holes

Round or square holes for housing the bolts.

5- Compression tie rod

Made of GEOMET-coated steel or stainless steel, it brings the two compression parts together and seals the sleeve.

6- Locking pad

Made of GEOMET-coated C40 hardened steel, it locks the pipe in place with high tear-out resistance thanks to the special profile of the teeth. The clearance between the screw and the pad ensures optimal positioning of the pad on the pipe surface when tightening. The pad can be mounted and dismantled without damaging the coating.

7- Connection flange

Made of RILSAN[®] 11 coated carbon steel.

Materials and coatings



Reference	Designation	Material	Coating
1	Central body	Carbon steel	RILSAN@11
2	Flange	Carbon steel	RILSAN@11
3	Retention ring	Carbon steel	RILSAN@11
4	Sealing gasket	EPDM or NBR	
5	Sliders	C40 hardened steel - GEOMET screws	
6	Tie rods	GEOMET steel or stainless steel	

Installation instructions

See our [Installation Instructions](#)

Accessories



RFLEX - Reinforcement
rings for PE and PVC
pipes

The information on this sketch is, to the best of our knowledge correct at the time of printing. However Saint-Gobain are constantly looking at ways of improving their products and services therefore reserve the right to change without prior notice, any of the data shown. Any orders placed will be subject to our Standard Conditions of Sale, available on request.