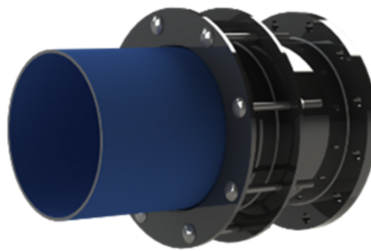


RFLEX - Flange Adaptor Large Tolerance Simple



- DN350 - DN1200 (OD 340 mm to OD 1268 mm) **
- PN10, PN16 **
- Grey & ductile cast iron, Steel, Pressure PVC*, PE*
- Drinking water and raw water
- Carbon steel body coated with RILSAN[®] 11, thickness 250 μ
- EPDM gasket (drinking water/raw water) or NBR gasket (wastewater)
- GEOMET steel or A2 stainless steel tie rods (optional)
- EN1092 flange
- Tolerance 24 to 30 mm depending on DN
- Angular deviation $\pm 3^\circ$ DN350-DN700
- Angular deviation $\pm 2^\circ$ DN800-DN900
- Angular deviation $\pm 1.5^\circ$ DN1000 and above

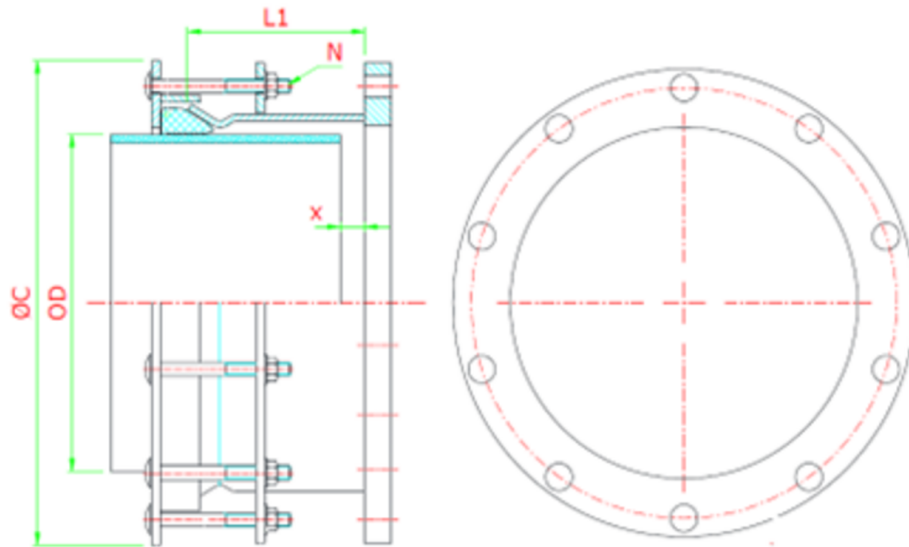
** For other DN, PN, and PFA, please contact us

The RFLEX range of multi-material, wide tolerance flange adaptors guarantees a tight seal and tensile strength on all types of cast iron/steel pipes and PVC/PE pipes from DN350 to DN1200 PN10 to PN16.

The tie rods compress the seals to achieve a perfect seal. The seal is truncated conical, which ensures optimal positioning on the pipe while allowing a tolerance of up to 24 mm (DN>600) or 30 mm (DN<600) on the outside diameter.

The part is coated with RILSAN[®]11, a high-performance biological polyamide made from castor beans. This coating offers an exceptional level of versatility, safety, durability, and resistance to permeation.

						PN 10		PN 16	
DN	J Mini - Maxi	L1 (mm)	ØC (mm)	Number	X mini/X maxi (mm)	Mass (kg)	References	Mass (kg)	References
350	365-395	216	571	10	20-160	64.00	MAB35D395XCBRG	64.00	MAB35D395XCARG
400	410-440	216	616	10	20-160	75.00	MAB40D440XCBRG	75.00	MAB40D440XCARG
450	465-495	216	671	12	20-160	90.00	MAB45D495XCBRG	90.00	MAB45D495XCARG
500	518-548	216	724	12	20-160	112.00	MAB50D548XCBRG	112.00	MAB50D548XCARG
600	620-650	216	826	14	20-160	152.00	MAB60D650XCBRG	152.00	MAB60D650XCARG
700	726-750	216	893	16	20-160	161.00	MAB70D750XCBRG	161.00	MAB70D750XCARG
800	824-848	216	991	18	20-160	175.00	MAB80D848XCBRG	175.00	MAB80D848XCARG
900	934-958	216	1101	20	20-160	198.00	MAB90D958XCBRG	198.00	MAB90D958XCARG
1000	1036-1060	216	1203	22	20-160	239.00	MAC10D1060XCBRG	239.00	MAC10D1060XCARG
1100	1140-1164	216	1307	24	20-160	247.00	MAC11D1164XCBRG	247.00	MAC11D1164XCARG
1200	1244-1268	216	1411	26	20-160	313.00	MAC12D1268XCBRG	313.00	MAC12D1268XCARG



Product description



1- Central body

Central part made of RILSAN[®] 11-coated carbon steel. The tapered ends ensure uniform compression of the seals without creep.

2- Compression ring

RILSAN[®] 11-coated carbon steel compression flange that compresses the gasket against the pipe surface when the bolts are tightened.

3- Gasket

Truncated cone-shaped gasket that fits perfectly between the fitting body and the pipe. It provides a complete seal and a tolerance of 24 or 30 mm on the pipe's OD.

4- Bolt holes

Round or square holes for the bolts.

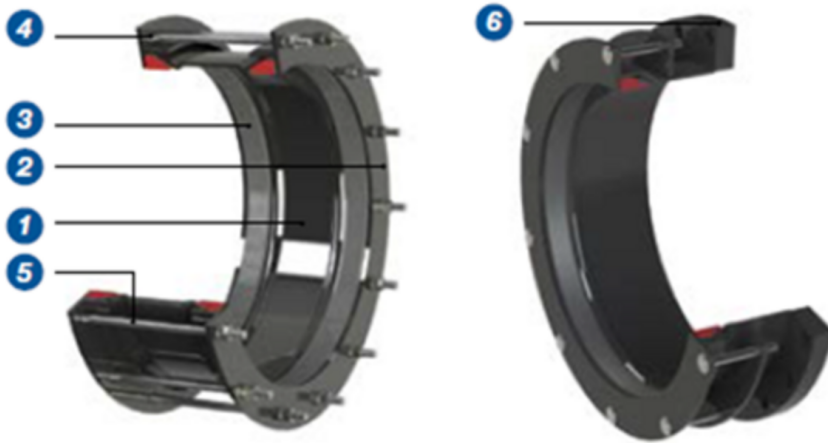
5- Compression tie rods

Made of GEOMET-coated steel or stainless steel, they bring the two compression parts together and ensure the sleeve is sealed.

6- Connection flange

Made of RILSAN[®] 11 coated carbon steel. EN1092.

Materials and coatings



Reference	Designation	Material	Coating
1	Central body	Carbon steel	RILSAN@11
2	Compression ring	Carbon steel	RILSAN@11
3	Sealing gasket	EPDM or NBR	
5	Tie rods	GEOMET steel or stainless steel	
6	Flange	Carbon steel	RILSAN@11

Installation instructions

See our [Installation Instructions](#)

The information on this sketch is, to the best of our knowledge correct at the time of printing. However Saint-Gobain are constantly looking at ways of improving their products and services therefore reserve the right to change without prior notice, any of the data shown. Any orders placed will be subject to our Standard Conditions of Sale, available on request.