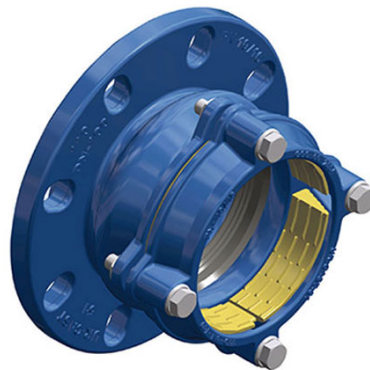
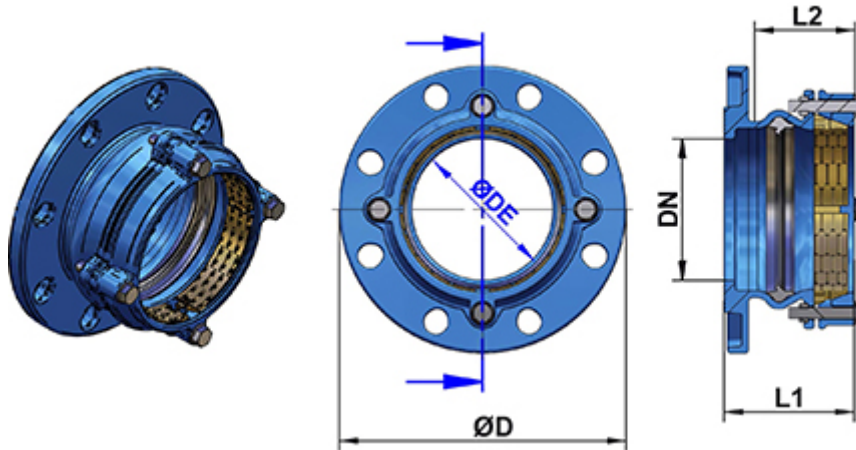


## Flange adapter QUICK mechanical anchored for PE and PVC



Flange adapter PN10/16 for PE and PVC from DN50/OD63 to DN400/OD400. Mechanical anchoring is made with a ring and tightening of bolts. The flange adapter for PE and PVC can be installed in the PE and PVC networks with a PFA of 16 bar. The components in contact with water are approved ACS in accordance with the decree of the French Department of Health of May 1997.

DN flange (mm)	PFA	DN/OD (mm)	ØDE (mm)	ØD (mm)	L1 (mm)	L2 (mm)	Mass (kg)	References
50/60/65	16 bar	60	63	175	109	85	3.30	MAL63UFCH
50/60/65	16 bar	75	75	175	109	85	3.70	MAL75UFCH
80	16 bar	90	90	200	114	85	4.78	MAL90UFCH
100	16 bar	110	110	224	119	85	5.68	MAM11UFCH
100	16 bar	125	125	254	119	95	7.00	MAM12UFCH
125	16 bar	125	125	254	119	95	7.00	MAN12UFCH
125	16 bar	140	140	254	124	100	7.50	MAM14UFCH
150	16 bar	160	160	285	139	115	9.00	MAM16UFCH
150	16 bar	180	180	285	139	115	10.10	MAM18UFCH
200	16 bar	200	200	340	162	140	15.92	MAM20UFCH
200	16 bar	225	225	340	172	150	17.50	MAM22UFCH
250	16 bar	250	250	405	184	150	21.40	MAM25UFCH
250	16 bar	280	280	405	177	150	21.70	MAM28UFCH
300	10 bar	315	315	472	207	185	27.50	MAM31UFCH
400	10 bar	400	400	580	317	230	67.50	MAM40UFCH



## Field of use

Flange adapter PN10 and PN16 for plastic pipes:

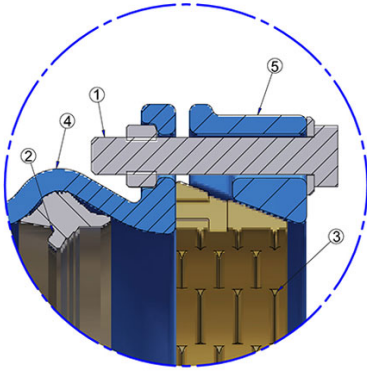
- Polyethylene: PE80 PN16 and PN12,5
- Polyethylene: PE100 PN16 and PN10
- PVC

Available for adduction and water supply networks.

## Added values

- Easy installation:
  - Important length of fitment (L).
  - Pre-assembly in the network is possible thanks to the flange and counterflange.
  - Final block stop to ensure the position of the pipe
- Separation of the sealing function (gasket in elastomer) and the anchoring function (metallic ring)
- Mechanical locking by screws to avoid any axial displacement of the plastic tube
- Multi-drilling flanges in conformity with the Standard EN 1092-2 for PN10 and PN16

## Material and coatings



Item	Designation	Material	Coatings
1	Bolts, nuts and washers	Steel Class 6.8	Geomet
2	Gasket	EPDM	
3	Grip ring	S 355 JR (F-114)	Bichromated
4	Flange adaptor	Ductile iron EN JGS 500-7	Blue epoxy powder 250 microns average thickness with a minimum of 200 microns, conforming to EN 14901-1 (PECB)
5	Counterflange	Ductile iron EN JGS 500-7	Blue epoxy powder 250 microns average thickness with a minimum of 200 microns, conforming to EN 14901-1 (PECB)

## Conformity to Standard and alimentarity

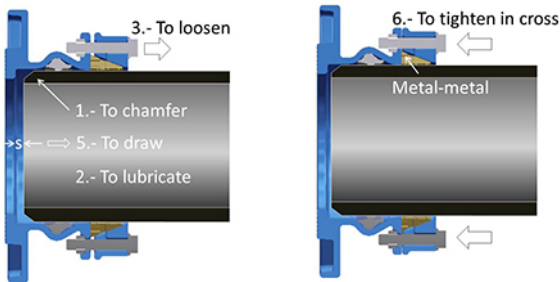
Hydraulic sealing tests and mechanical resistance tests are according to EN 12842.  
All the components in permanent contact with water are in conformity with the decree of May 29th, 1997.

## Marking



- DE / OD identification label
- Name of the product: Flange adaptor QUICK for PE and PVC mechanical anchored
- Marketing : PAM + the logo of Saint-Gobain
- Tightening torque in Nm per diameter

## Laying instructions



1. To chamfer the spigot of the plastic tube (see below drawing).
2. To lubricate the tightness seal with SG Pam lubricant paste.
3. To loosen the bolts (not completely, only few turns) to enable the passage of the plastic pipe through the locking ring.
4. To introduce the plastic pipe to be in contact with the final block stop.
5. To make a mark on the spigot of the pipe and to draw the pipe of a distance  $S = 15-20$  mm. This space enables the displacement of the plastic pipe during tightening.
6. To tighten the bolts in cross until to obtain a contact metal-metal. Please refer to below tightening torques indicated in the table and on the label stuck in the body of the flange adapter.

Angular deflection:  $0^\circ$  with PE flexible tube.

## Tightening torque

DN/OD	Nm
DN50/OD63 - DN200/OD200	40
DN225/OD225 - DN300/OD315	65
DN400/OD400	155

*The information on this sketch is, to the best of our knowledge correct at the time of printing. However Saint-Gobain are constantly looking at ways of improving their products and services therefore reserve the right to change without prior notice, any of the data shown. Any orders placed will be subject to our Standard Conditions of Sale, available on request.*