



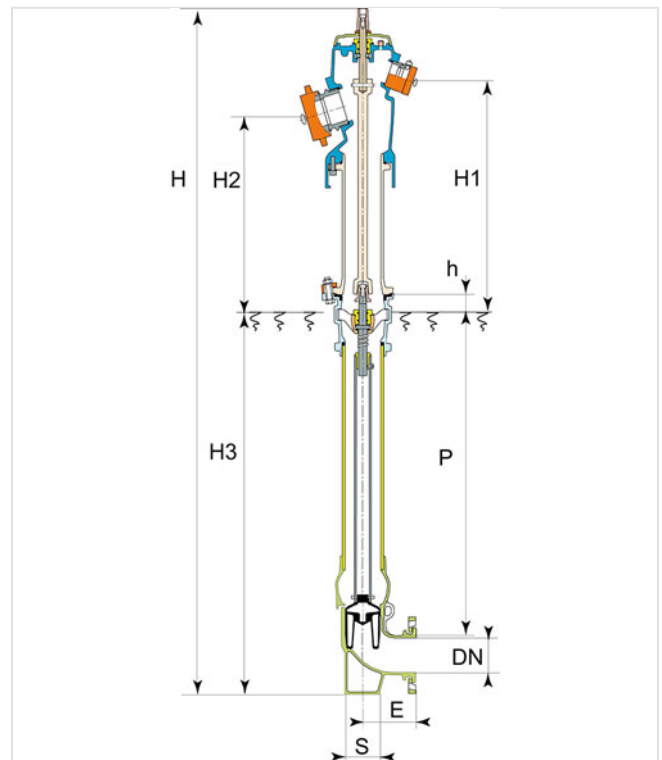
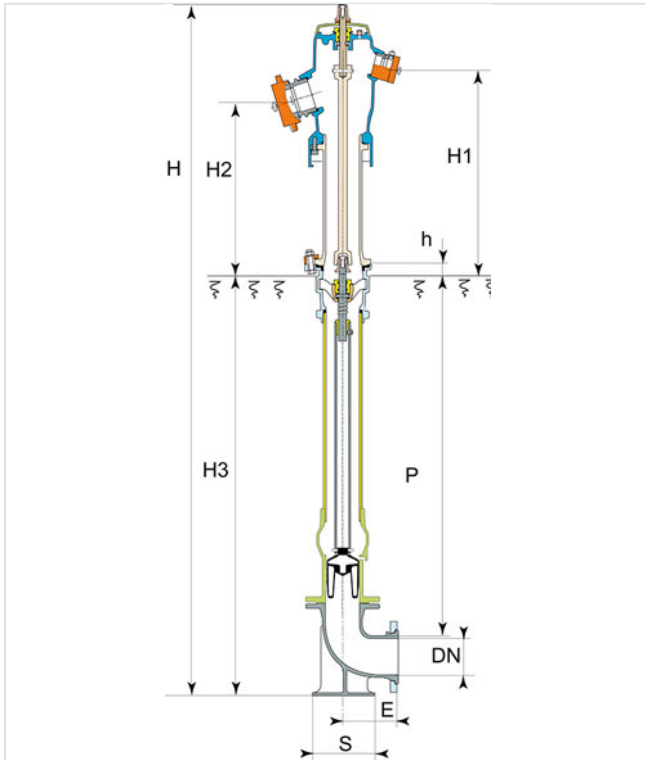
Fire hydrant C9+ Traffic DN100 - BS outlets



- Operating square cap 30x30mm
- Bended valve box
- Automatic drainage function
- Outlets: 2 lateral outlets BS336 and 1 frontal outlet BS336

DN (mm)	Version	Outlets	P=HC (mm)	H (mm)	H1 (mm)	H2 (mm)	H3 (mm)	E (mm)	S (mm)	Mass (kg)	References
100	Bended box	2x BS336 2"½ DN 65 + 1x 4" DN100	1006	2050	643	538	1175	152	100 x 90	83.00	182101
100	Straight box	2x BS336 2"½ + 1x BS336 4"	1250	2278	643	538	1438	180	200 x 200	101.00	*

(*) consult us



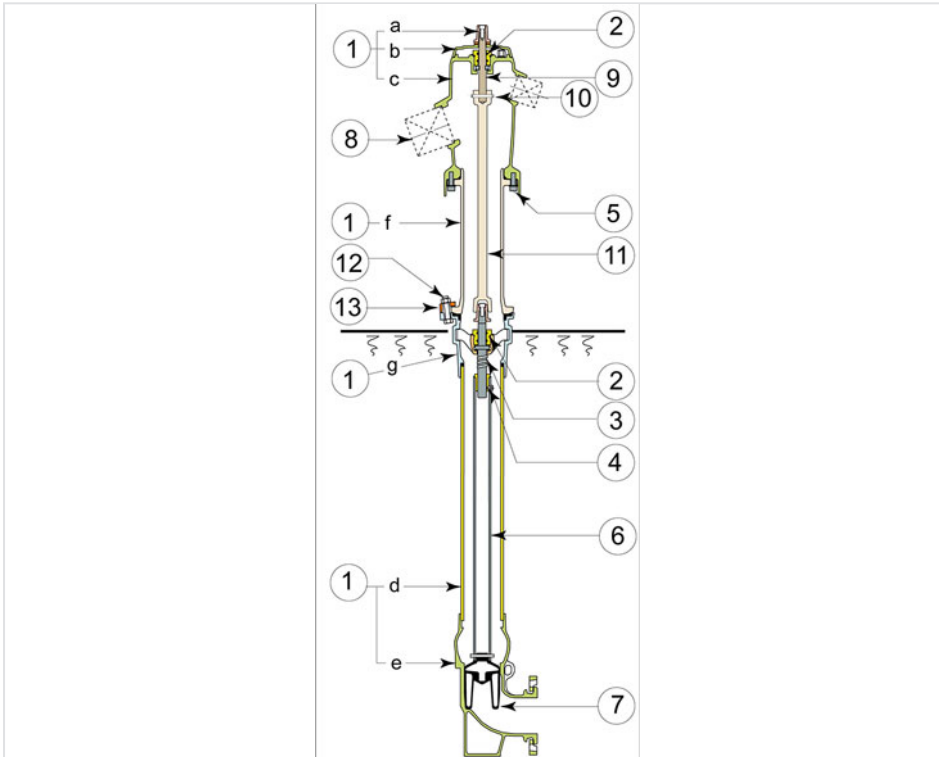
Field of use

Fire hydrants pillar or underground type are designed, according to applicable standards and regulations, for exclusive use of fire protection and using drinking water or raw water network.

They must be handled and used in strict compliance with the recommendations and best practice by personnel trained with these recommendations.

These devices must be inspected periodically (as required by regulations or recommended instructions) to verify and maintain their proper and safe operation.

Material and coating



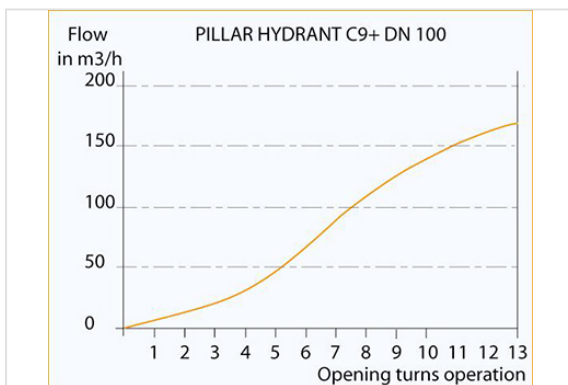
Item	Designation	Material	Coating
1	1a -Operating cap	Ductile iron GS EN GJS 400-15 or 500-7 EN 1563	Dacromet + grey Polyurethane 20 µm
	1c -Upper body	Ductile iron GS EN GJS 400-15 or 500-7 EN 1563	Red-brown Epoxy powder 250 µm + red Polyurethane 40 µm
	1f - Lower Body	Ductile iron GS EN GJS 400-15 or 500-7 EN 1563	Epoxy powder 250 µm + red Polyurethane 40 µm
	1 g - Screwed box	Ductile iron GS EN GJS 400-15 or 500-7 EN 1563	Epoxy powder 250 µm + red Polyurethane 40 µm
	1d-Extension tube	Ductile iron GS EN GJS 400-15 or 500-7 EN 1563	Blue Epoxy powder 250 µm
	1e -Valve box	Ductile iron GS EN GJS 400-15 or 500-7 EN 1563	Blue Epoxy powder 250 µm
	1b- Cover	Polyamide P A 6	Red polyurethane paint
2	Upper and lower bush	Brass type Cu Zn 39 Pb 2EN 12164	
3	Operating stem	Steel type X20 Cr 13 EN 10088-3	
4	Operating nut	Brass type Cu Zn 40 Pb 2 EN 12164	
5	Fixing screw	Steel type CL 8/8	Bichromated zinc
6	Operating rod	Steel type Tu 56 B NF EN 10240	Galvanized
7	Valve	Ductile iron GS EN GJS 400-15 or 500-7 EN 1563	Encapsulated EPDM
8	Outlets	Depending on models	



Item	Designation	Material	Coating
9	Operating shaft	X20 Cr 13 EN 10088-1	
10	Pin	X20 Cr 13 EN 10088-1	
11	Operating spindle	(OS) Forged steel C35 - NF EN 10083-1	25 microns black cataphoresis
12	Bolts and nuts	Steel type CL 8/8	Bichromated zinc
13	Breakable traffic clamping shim	Ductile iron	250 microns fusion bonded blue epoxy + red polyurethane

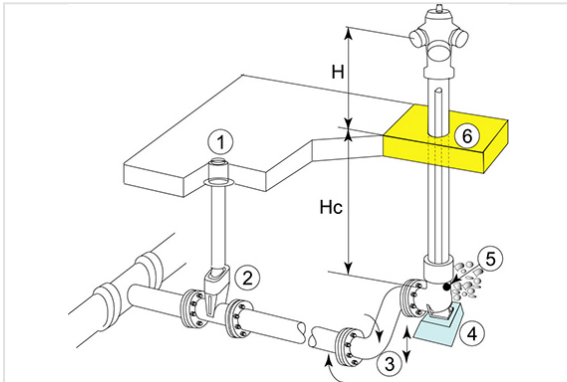
Notice [NPPI 01 A](#)

Mechanical characteristics



- According to NF EN 14384/CN
- PFA 16 bars (hydraulics test: According to ISO 5208)
- Opening-closing torque bellow 80 Nm
- Maximum strength torque above 300 Nm
- Resistance to 1000 cycles opening/closing
- Number of turns to close: 13
- Nominal flow rate 60m3/h for headloss 1 m. water column
- Flow curve for PI C9+ DN100 (with headloss 1 bar:10 m. water column) according to the numbers of turns opening

Installation



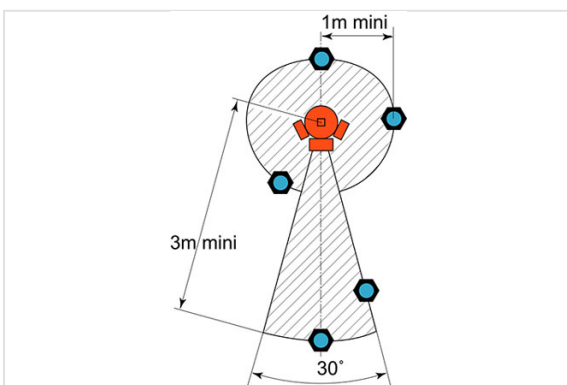
See drawing:

1. Surface boxes
 2. Gate valve Euro 20
 3. S height adjustment bends
 4. Concrete block
 5. Drain orifice
- Anchorage concrete block at ground level 50 x 50 x thickness 15cm

Installation DN100

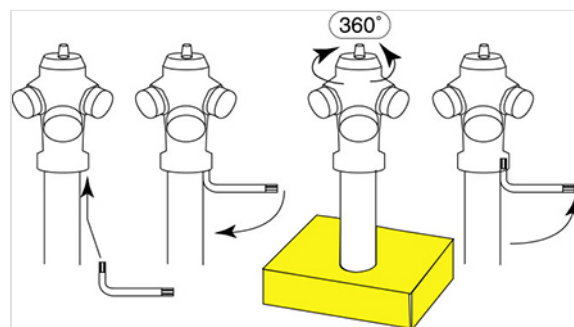
Hc 1000 : 500 to 600 maxi

Hc 1250 : 500 to 600 maxi



The EURO 20 gate valve should not ...
outside the hatched zone

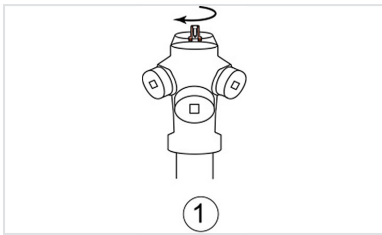
1. Close the pillar
2. Open one outlet
3. Flush the system at high flow
4. Check that the pillar is empty



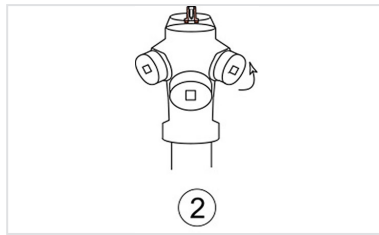
Orientation pillar from 0 to 360°.
Wrench Torx-12 mm



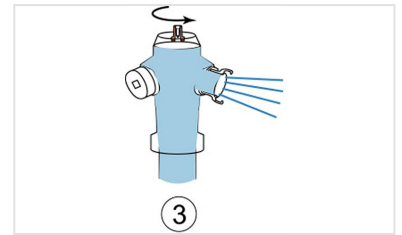
5. Close the outlet



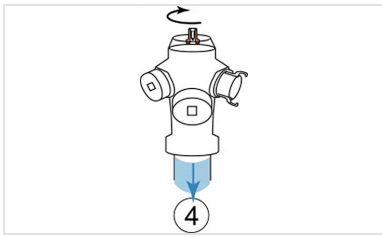
Close the pillar



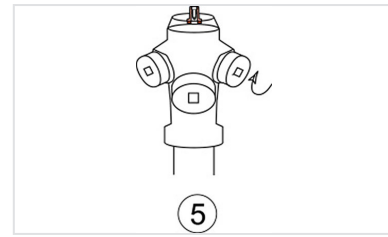
Open one outlet



Flush the system at high flow



Check that the pillar is empty



Close the outlet

The information on this sketch is, to the best of our knowledge correct at the time of printing. However Saint-Gobain are constantly looking at ways of improving their products and services therefore reserve the right to change without prior notice, any of the data shown. Any orders placed will be subject to our Standard Conditions of Sale, available on request.