

Euro 20 FM range

Without flange



With flange



For many years, SAINT-GOBAIN PAM has been the market leader in the field of valves and hydrants for fire protection.

To strengthen this position, SAINT-GOBAIN PAM is now offering a complete range of products approved by the **Factory Mutual System**.

What is the Factory Mutual System?

Founded in the United States in 1835, **Factory Mutual** is today the world leader in industrial risk insurance. **Factory Mutual** insures more than 50% of industrial premises in the United States and about 1500 billion US Dollar worth of industrial property throughout the world.

Established in Europe since 1963 under the name of **Factory Mutual International**, this company already insures numerous French businesses.

This success can be explained in particular by a concept unique to the **Factory Mutual System**: the prevention of hazardous incidents. This prevention is achieved by:

- Rigorous appraisal of the risks to be insured
- Regular inspections to assist the insured person in improving the level of protection of his premises
- An approval system for the firefighting equipment installed by those insured.

FM APPROVAL

Valves and hydrants in firefighting mains, and sprinkler systems, are subject to FM approval.

This is a contractual obligation for the insured but is also an absolute guarantee of the quality of the material used.

In fact, for a valve or hydrant to be approved by FM, its design must meet a rigorous specification and must also undergo a series of operating and strength tests designed to prove its reliability. The manufacturing plant is subjected to a rigorous inspection to check its quality assurance procedures.

Finally, FM valves and hydrants are subjected to ((post-approval" inspections within the plant, to check for continuing compliance.

The prevention aspect and need for rapid action in cases of fire has influenced valve design.

Valves in fire mains are always left open and "accidental" closure is impossible.

The valves are also equipped with clearly marked opening indicators and a device for locking the valve operating mechanism (wheel or handle).

FM APPROVED EURO 20 VALVES FOR BURIED FIRE MAINS (maximum working pressure 16 bar)

All the EURO 20 range DN100 to 400 is FM APPROVED in the following versions:

- EURO 21 flanged, standard body - series 15 (DN + 200)
- EURO 23 flanged, short body - series 14 (0,4 DN + 150)

EURO 20 valves FM APPROVED are supplied only clockwise closing.

EURO 20 valves FM APPROVED can be equipped with a post-indicator or a wall-indicator.

The post-indicator or the wall-indicator can be equipped with an electrical contact PCVS indicating the OPEN position of the valve.

The EURO 20 FM approved is used generally buried and equipped with a post-indicator FM approved.

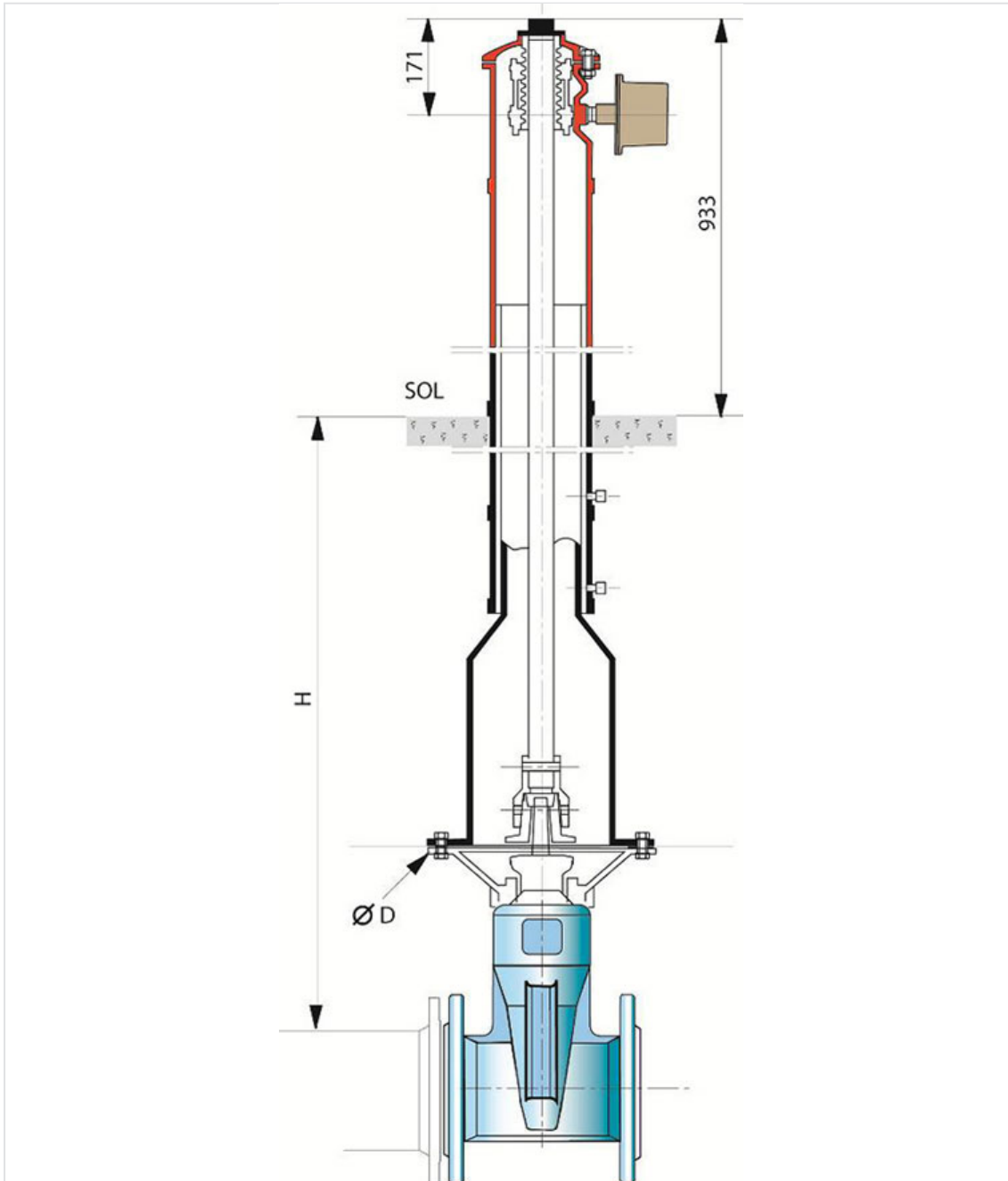
The post-indicator allows the operating, the anchoring, and the remote control of the valve position.

DN of the valve	100	125	150	200	250	300	400
Number of turns to open	21	25	30	33	41.5	50	70
Flange diameter for pipe connection (D)	305						
Depth of cover (H)	771 to 1621	804 to 1654	827 to 1677	914 to 1764	998 to 1848	1042 to 1892	1198 to 2048
Indicator post viewing height(above ground level)	762						
Total mass	173	181	190	235	288	349	393

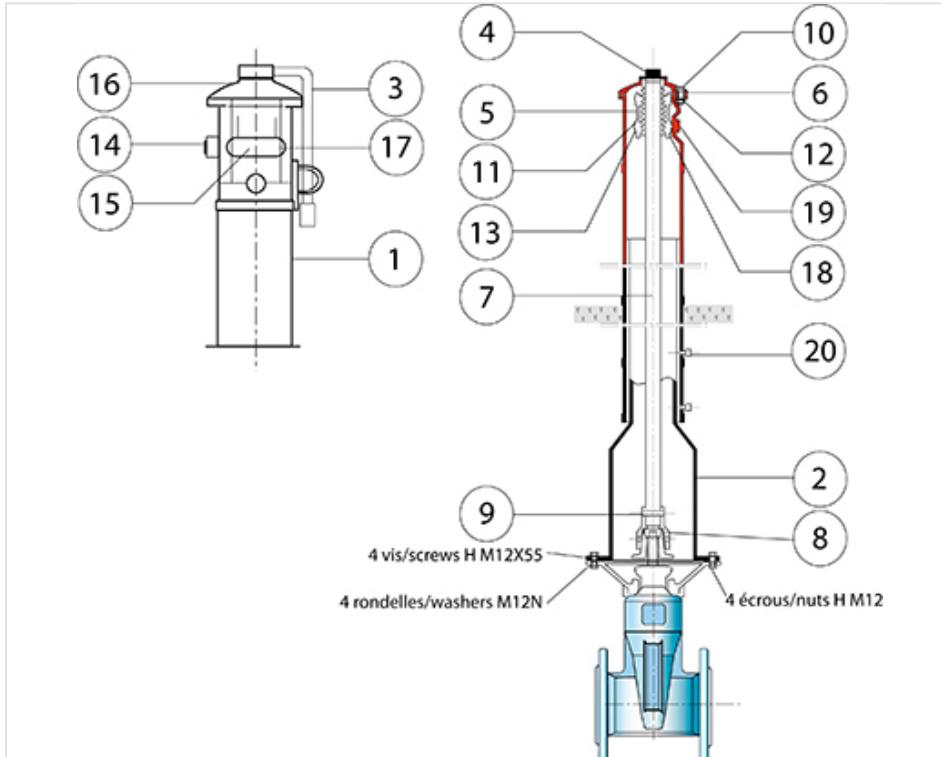
DN (mm)	DN	Pressure	Type	PN	Version	Mass (kg)	References
100	4"	235 psi	NG Type 21	10 - 16	without flange / square AWWA	25.30	RDB10AQCHR
100	4"	235 psi	NG Type 23	10 - 16	without flange / square AWWA	25.30	RDB10BQCHR
100	4"	235 psi	NG Type 21	10 - 16	with flange / square AWWA	33.00	RDB10AMCHR
100	4"	235 psi	NG Type 23	10 - 16	with flange / square AWWA	31.00	RDB10BMCHR
100	4"	235 psi	NG Type 21	10 - 16	with wall-indicator without detector	64.00	RDB10AMCHW
100	4"	235 psi	NG Type 23	10 - 16	with wall-indicator without detector	62.00	RDB10BMCHW
100	4"	235 psi	NG Type 21	10 - 16	with post-indicator without detector	173.00	RDB10AMCHP
100	4"	235 psi	NG Type 23	10 - 16	with post-indicator without detector	171.00	RDB10BMCHP
125	5"	235 psi	NG Type 21	10 - 16	without flange / square AWWA	32.60	RDB12AQCHR
125	5"	235 psi	NG Type 23	10 - 16	without flange / square AWWA	30.10	RDB12BQCHR
125	5"	235 psi	NG Type 21	10 - 16	with flange / square AWWA	41.00	RDB12AMCHR
125	5"	235 psi	NG Type 23	10 - 16	with flange / square AWWA	39.00	RDB12BMCHR
125	5"	235 psi	NG Type 21	10 - 16	with wall-indicator without detector	72.00	RDB12AMCHW
125	5"	235 psi	NG Type 23	10 - 16	with wall-indicator without detector	70.00	RDB12BMCHW
125	5"	235 psi	NG Type 21	10 - 16	with post-indicator without detector	181.00	RDB12AMCHP
125	5"	235 psi	NG Type 23	10 - 16	with post-indicator without detector	179.00	RDB12BMCHP
150	6"	235 psi	NG Type 21	10 - 16	without flange / square AWWA	41.30	RDB15AQCHR
150	6"	235 psi	NG Type 23	10 - 16	without flange / square AWWA	37.30	RDB15BQCHR
150	6"	235 psi	NG Type 21	10 - 16	with flange / square AWWA	50.00	RDB15AMCHR
150	6"	235 psi	NG Type 23	10 - 16	with flange / square AWWA	47.00	RDB15BMCHR
150	6"	235 psi	NG Type 21	10 - 16	with wall-indicator without detector	81.00	RDB15AMCHW
150	6"	235 psi	NG Type 23	10 - 16	with wall-indicator without detector	78.00	RDB15BMCHW

DN (mm)	DN	Pressure	Type	PN	Version	Mass (kg)	References
150	6"	235 psi	NG Type 21	10 - 16	with post-indicator without detector	190.00	RDB15AMCHP
150	6"	235 psi	NG Type 23	10 - 16	with post-indicator without detector	187.00	RDB15BMCHP
200	8"	235 psi	NG Type 21	10	without flange / square AWWA	84.50	RDB20AQBHR
200	8"	235 psi	NG Type 21	16	without flange / square AWWA	84.50	RDB20QAHR
200	8"	235 psi	NG Type 23	10	without flange / square AWWA	75.50	RDB20QBHR
200	8"	235 psi	NG Type 23	16	without flange / square AWWA	75.50	RDB20QAHR
200	8"	235 psi	NG Type 21	10	with flange / square AWWA	95.00	RDB20AMBHR
200	8"	235 psi	NG Type 21	16	with flange / square AWWA	95.00	RDB20AMAHR
200	8"	235 psi	NG Type 23	10	with flange / square AWWA	89.00	RDB20MBHR
200	8"	235 psi	NG Type 23	16	with flange / square AWWA	89.00	RDB20MAHR
200	8"	235 psi	NG Type 21	10	with wall-indicator without detector	126.00	RDB20AMBHW
200	8"	235 psi	NG Type 21	16	with wall-indicator without detector	126.00	RDB20AMAHW
200	8"	235 psi	NG Type 23	10	with wall-indicator without detector	120.00	RDB20MBHW
200	8"	235 psi	NG Type 23	16	with wall-indicator without detector	120.00	RDB20MAHW
200	8"	235 psi	NG Type 21	10	with post-indicator without detector	235.00	RDB20AMBHP
200	8"	235 psi	NG Type 21	16	with post-indicator without detector	235.00	RDB20AMAHP
200	8"	235 psi	NG Type 23	10	with post-indicator without detector	229.00	RDB20MBHP
200	8"	235 psi	NG Type 23	16	with post-indicator without detector	229.00	RDB20MAHP
250	10"	200 psi	NG Type 21	10	without flange / square AWWA	136.60	RDB25AQBHR
250	10"	200 psi	NG Type 21	16	without flange / square AWWA	136.60	RDB25QAHR
250	10"	200 psi	NG Type 23	10	without flange / square AWWA	123.60	RDB25QBHR
250	10"	200 psi	NG Type 23	16	without flange / square AWWA	123.60	RDB25QAHR
250	10"	200 psi	NG Type 21	10	with flange / square AWWA	148.00	RDB25AMBHR
250	10"	200 psi	NG Type 21	16	with flange / square AWWA	148.00	RDB25AMAHR
250	10"	200 psi	NG Type 23	10	with flange / square AWWA	136.00	RDB25MBHR
250	10"	200 psi	NG Type 23	16	with flange / square AWWA	136.00	RDB25MAHR
250	10"	200 psi	NG Type 21	10	with wall-indicator without detector	179.00	RDB25AMBHW
250	10"	200 psi	NG Type 21	16	with wall-indicator without detector	179.00	RDB25AMAHW
250	10"	200 psi	NG Type 23	10	with wall-indicator without detector	167.00	RDB25MBHW
250	10"	200 psi	NG Type 23	16	with wall-indicator without detector	167.00	RDB25MAHW
250	10"	200 psi	NG Type 21	10	with post-indicator without detector	288.00	RDB25AMBHP
250	10"	200 psi	NG Type 21	16	with post-indicator without detector	288.00	RDB25AMAHP
250	10"	200 psi	NG Type 23	10	with post-indicator without detector	276.00	RDB25MBHP
250	10"	200 psi	NG Type 23	16	with post-indicator without detector	276.00	RDB25MAHP

DN (mm)	DN	Pressure	Type	PN	Version	Mass (kg)	References
300	12"	200 psi	NG Type 21	10	without flange / square AWWA	196.30	RDB30AQBHR
300	12"	200 psi	NG Type 21	16	without flange / square AWWA	196.30	RDB30AQahr
300	12"	200 psi	NG Type 23	10	without flange / square AWWA	196.30	RDB30BQBHR
300	12"	200 psi	NG Type 23	16	without flange / square AWWA	196.30	RDB30BQahr
300	12"	200 psi	NG Type 21	10	with flange / square AWWA	209.00	RDB30AMBHR
300	12"	200 psi	NG Type 21	16	with flange / square AWWA	209.00	RDB30AMahr
300	12"	200 psi	NG Type 23	10	with flange / square AWWA	190.00	RDB30BMBHR
300	12"	200 psi	NG Type 23	16	with flange / square AWWA	190.00	RDB30BMAHR
300	12"	200 psi	NG Type 21	10	with wall-indicator without detector	240.00	RDB30AMBHW
300	12"	200 psi	NG Type 21	16	with wall-indicator without detector	240.00	RDB30AMAHW
300	12"	200 psi	NG Type 23	10	with wall-indicator without detector	221.00	RDB30BMBHW
300	12"	200 psi	NG Type 23	16	with wall-indicator without detector	221.00	RDB30BMAHW
300	12"	200 psi	NG Type 21	16	with post-indicator without detector	350.00	RDB30AMAHPP
300	12"	200 psi	NG Type 23	10	with post-indicator without detector	330.00	RDB30BMBHP
300	12"	200 psi	NG Type 23	16	with post-indicator without detector	330.00	RDB30BMAHP
400	16"	175 psi	Classique Type 23	10	without flange / square AWWA	299.00	REB40BQBHR
400	16"	175 psi	Classique Type 23	16	without flange / square AWWA	299.00	REB40BQahr
400	16"	175 psi	Classique Type 23	10	with flange / square AWWA	253.00	REB40BMBHR
400	16"	175 psi	Classique Type 23	16	with flange / square AWWA	253.00	REB40BMAHR
400	16"	175 psi	Classique Type 23	10	with wall-indicator without detector	329.00	REB40BMBHW
400	16"	175 psi	Classique Type 23	16	with wall-indicator without detector	329.00	REB40BMAHW
400	16"	175 psi	Classique Type 23	10	with wall-indicator with detector	329.00	165026
400	16"	175 psi	Classique Type 23	10	with post-indicator without detector	393.00	REB40BMBHP
400	16"	175 psi	Classique Type 23	16	with post-indicator without detector	393.00	REB40BMAHP

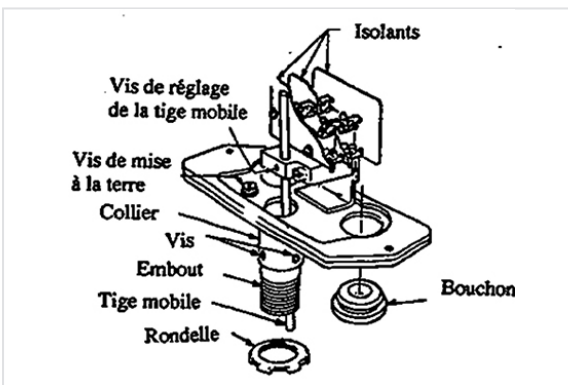
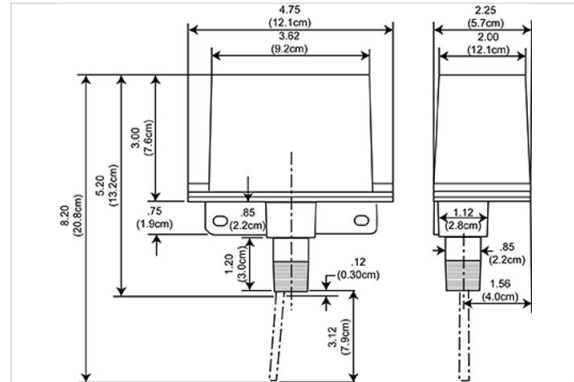


Material and coating



Item	Designation	Material
1	Body	Grey iron
2	Stem	Grey iron
3	Flange	Ductile iron
4	Operating stem	Bronze
5	EURO 20 valve	Ductile iron
6	Circlips	Steel
7	Operating stem	Mild steel
8	Operating screed	Grey iron
9	Pin	Brass
10	Bolt + nut	Steel
11	Electrical Micro-contact PCVS	
12	Bonnet	Grey iron
13	Adjusting screw	Steel

PCVS Control Valves Supervisory Switch



Post indicator mounting instructions

1. Close the gate valve and make sure it is perfectly tight
2. Then, put the post indicator in shut position. You must read in the windows the word SHUT
3. Remove the "Potter" from the post indicator, if already installed. If not, remove the threaded cap where the Potter will be fixed
4. Dismount the post indicator's head
5. Fix the post indicator on the top flange of the valve
6. Put down the operating stem trough the post indicator up to square cap connection
7. Reassemble the post indicator's head again
8. Make a totally opening in counting the exact number of turns
9. Check that OPEN appears in the windows after the opening
10. Put the valve in intermediate position (half-opened and half-closed)
11. Put the "Potter" stem indicator in horizontal position Remove the red protection cover of Potter switch to get access at the setting of stem indicator

12. Put the "Potter" stem indicator up to the axle support of open-shut indicators until you reach the end of brass nut and bring back the stem indicator of 1mm from the brass nut
13. Fix the "Potter" definitively
14. Make an "open-close test" to be sure that the Potter works properly



2-



3-



4-



5-



6-



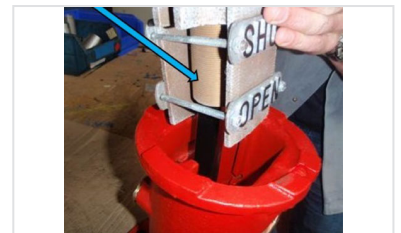
7-



11-



12-



12-

The information on this sketch is, to the best of our knowledge correct at the time of printing. However Saint-Gobain are constantly looking at ways of improving their products and services therefore reserve the right to change without prior notice, any of the data shown. Any orders placed will be subject to our Standard Conditions of Sale, available on request.