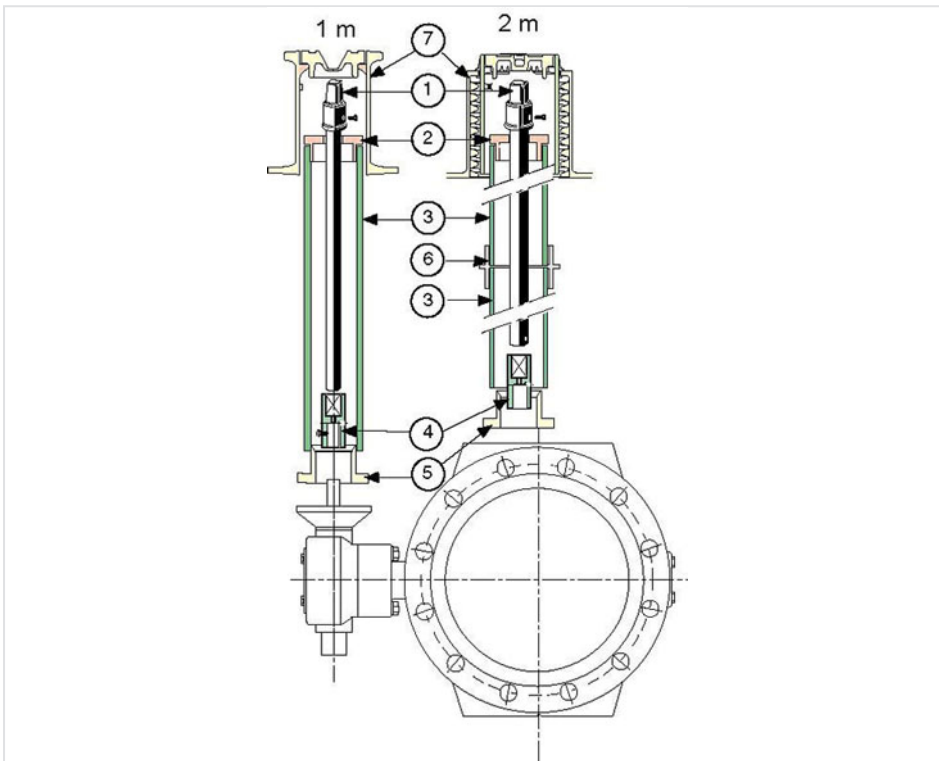


## Butterfly valves buried - Operating with T key

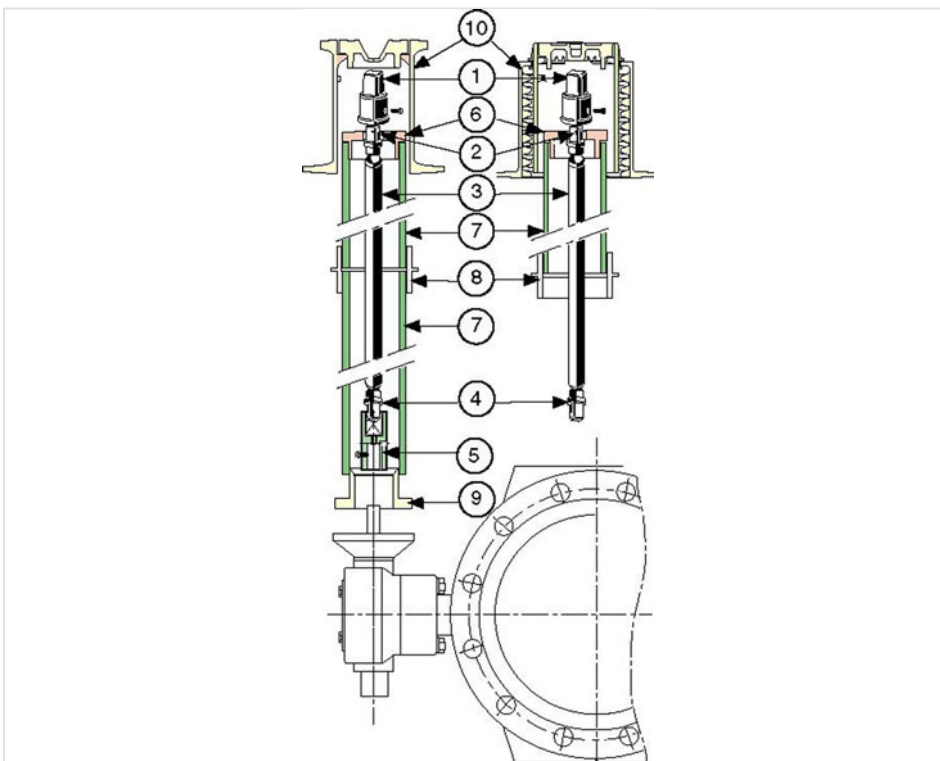
### Mounting under surface box - Extension spindle 1 and 2 m (square 28x28)



Item	Description	Number	References
1	Extension spindle with operating cap - Height 1 m	1	RAA28F1
	Extension spindle with operating cap - Height 2 m	1	RAA28F2
2	Spindle guide cover DI	1	162032
	Spindle guide cover PVC	1	162033
3	Protection tube (for spindle h=1m : 1 tube) DI	1	RAC10AB
	Protection tube (for spindle h=2m : 2 tubes) DI	2	RAC10AB
	Protection tube (for spindle h=1m : 1 tube) PVC	1	RAC11AD
	Protection tube (or spindle h=2m : 2 tubes) PVC	2	RAC11AD
4	Operating coupling (Depending on valve DN) - See <a href="#">VIGBVXXVAC600</a>	1	<a href="#">VIGBVXXVAC600</a>
5	Support for protection tube DI or PVC - Ø20 (F10)	1	162030
	Support for protection tube DI or PVC - Ø30 (F14)	1	162029

Item	Description	Number	References
6	Intermediate support height = 2 m for protection tube DI	1	RAA80DB
	Intermediate support height = 2 m for protection tube PVC	1	RAA80ED
7	Surface box PAVA type 10 kg H105	1	F1PVAC
	Surface box PAVA type 14 kg H185	1	F2PVAC
	Surface box PAVA type 19 kg H150	1	F3PVAC
	Surface box TOTALE Roadways Round	1	FRTOAB
	Surface box TOTALE Roadways Hexagonal	1	FRTODB
	Surface box TOTALE Roadways Square	1	FRTOBB
	Surface box TOTALE Pathways Round	1	FTTOAB
	Surface box TOTALE Pathways Hexagonal	1	FTTODB
	Surface box TOTALE Pathways Square		

**Mounting under surface box - Extension spindle 3 to 6m - 33/42(Ø20) or 50/60(Ø30)**



Item	Description	Number	References
1	Operating cap - Height 1 m	1	162082

Item	Description	Number	References
2+4	Adaptor to be welded (square 28) - Ø 20 (33/42)	1	162077
	Adaptor to be welded (square 28) - Ø 30 (50/60)	1	163358
3	Extension tube length 3 m - Ø 20 (33/42)	1	162088
	Extension tube length 4.5 m - Ø 20 (33/42)	1	162231
	Extension tube length 6 m - Ø 20 (33/42)	1	162090
	Extension tube length 6 m - Ø 20 (33/42)	1	162229
	Extension tube length 4.5 m - Ø 30 (50/60)	1	162232
	Extension tube length 6 m - Ø 30 (50/60)	1	162140
4	Operating coupling (Depending on valve DN) - See <a href="#">VIGBVXXVAC600</a>	1	<a href="#">VIGBVXXVAC600</a>
5	Spindle guide cover DI	1	162032
7	Protection tube DI for L=3 m (Lu=1.5 m x 2)	2	RAC15AB
	Protection tube DI for L=4.5 m (Lu=1.5 m x 3)	3	RAC15AB
	Protection tube DI for L=6 m (Lu=1.5 m x 4)	4	RAC15AB
	Protection tube PVC for L=3 m (Lu= 1.1 m x 3)	3	RAC11AD
	Protection tube PVC for L=4.5 m (Lu= 1.1 m x 4)	4	RAC11AD
	Protection tube PVC for L=6 m (Lu= 1.1 m x 6)	6	RAC11AD
8	Intermediate support DI for L=3 m	1	RAA80DB
	Intermediate support DI for L=4.5 m	2	RAA80DB
	Intermediate support DI for L=6 m	3	RAA80DB
	Intermediate support PVC for L=3 m	2	RAA80ED
	Intermediate support PVC for L=4.5 m	3	RAA80ED
	Intermediate support PVC for L=6 m	5	RAA80ED
9	Intermediate support PVC for L=6 m	1	162030
	Support for protection tube (DI or PVC) - Ø30 (F14)	1	162029
10	Surface box PAVA type 10 kg H105	1	F1PVAC
	Surface box PAVA type 14 kg H185	1	F2PVAC
	Surface box PAVA type 19 kg H150	1	F3PVAC
	Surface box TOTALE Roadways Round	1	FRTOAB
	Surface box TOTALE Roadways Hexagonal	1	FRTODB
	Surface box TOTALE Roadways Square	1	FRTOBB
	Surface box TOTALE Roadways Square	1	FTTOAB
	Surface box TOTALE Pathways Hexagonal	1	FTTODB
	Surface box TOTALE Pathways Square	1	FTTOBB

*The information on this sketch is, to the best of our knowledge correct at the time of printing. However Saint-Gobain are constantly looking at ways of improving their products and services therefore reserve the right to change without prior notice, any of the data shown. Any orders placed will be subject to our Standard Conditions of Sale, available on request.*