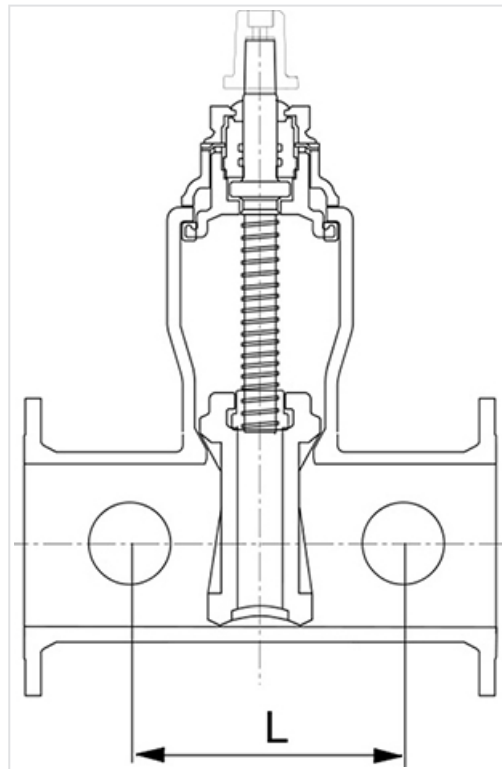


## Ranges EURO 20 - Bosses



The EURO 20 S15 series (including EURO 20 NEW) is casted with two bosses which allow after drilling and threading the setting of the following accessories:

- Discharge check valve : with off-pressure opening, it allows the emptying and the defreezing of a pipe section
- Fitting of products injection for water treatment
- Flow indicator, bypass etc...

Dimension of threading: ½ BSP

DN	Distance L between bosses mm	Diameter of boss mm
65	140	41
80	150	49
100	166	55
125	175	55

DN	Distance L between bosses mm	Diameter of boss mm
150	196	55
200	234	55
250	265	68
300	290	68

*The information on this sketch is, to the best of our knowledge correct at the time of printing. However Saint-Gobain are constantly looking at ways of improving their products and services therefore reserve the right to change without prior notice, any of the data shown. Any orders placed will be subject to our Standard Conditions of Sale, available on request.*