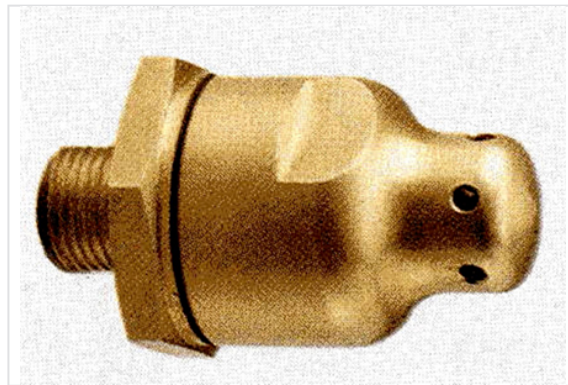
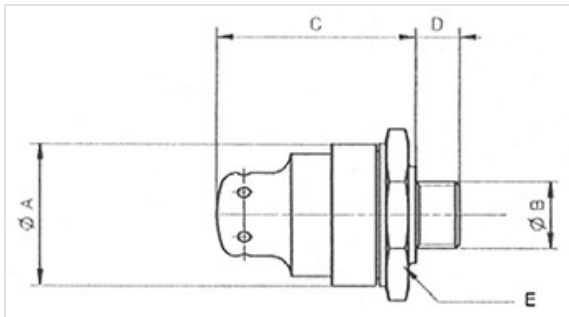


Self acting drain valve DN1/2" BSP PN16



Mass (kg)	References
0.45	162854
0.45	166947



½ inch BSP PN16 male threaded self-acting drain valve.
Operating temperature: < 50°C

A	B	C	D	E	Opening pressure setting
mm	mm	mm	mm	mm	mce (meter water head)
44	½ " BSP	60	14	6x46	0,2 - 3 (162854)
					15 - 20 (166947)

Features and benefits

The ½" self-acting drain valve provides an easy drainage solution for water devices and equipment. It automatically opens when service pressure decreases to the preset value (0.02 bar as default) and closes when pressure reaches 0.3 bar (0.02-0.3 bar). This drain device is also available with setting 1,5-2bar. Equipment available for EURO 20, EURO 20 NG and EURO 20 NEW face to face S15 according EN558.

Material

- Body in bronze
- Spring in steel
- Valve in polyamide
- Joint in nitrile

Installation

The ½" automatic drain valve can for instance be installed on:

- Pipe boss
- Pipe saddle
- Euro 20 series 15 gate valve
- Pipe accessories

The volume of water, which can be drained through this device, depends on its size and water head. The ½" self-acting drain valve is recommended to provide drainage for up to around 100 litres volumes.

The information on this sketch is, to the best of our knowledge correct at the time of printing. However Saint-Gobain are constantly looking at ways of improving their products and services therefore reserve the right to change without prior notice, any of the data shown. Any orders placed will be subject to our Standard Conditions of Sale, available on request.