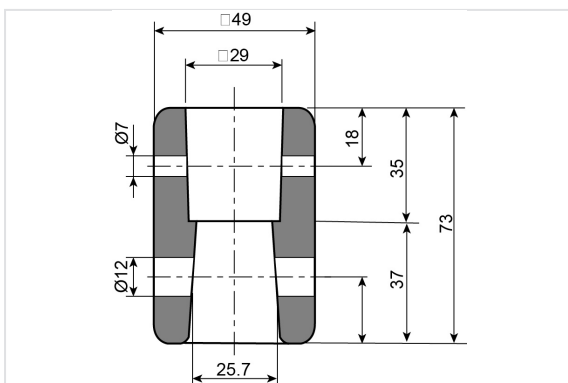


## Coupling for EURO 20



This coupling consists in an accessory directly connected to the operating screw of the valve. The coupling is used for some extension spindle assembly.

Square (mm)	Mass (kg)	References
15.3	0.85	RAA15G
18.5	0.86	RAA18G
20.6	0.81	RAA19G
25.7	0.78	RAA25G
28.9	0.74	RAA29G



## Material and coating

Ductile Iron EN GJS 400-15 or 500-7, according to EN 1083, coated with bituminous varnish (thickness 30 microns).

## EURO 20

DN mm	Square mm	Reference
40	15.3	RAA15G
50	15.3	RAA15G
400	15.3	RAA29G

## EURO 20 NG

DN mm	Square mm	Closing direction	Reference
60	18.5	Clockwise	RAA18G
80	18.5	Clockwise	RAA18G
100	20.6	Clockwise	RAA19G
125	20.6	Clockwise	RAA19G
150	20.6	Clockwise	RAA19G
200	25.7	Clockwise	RAA25G
250	25.7	Clockwise	RAA25G
300	25.7	Clockwise	RAA25G
350	28.9	Clockwise	RAA29G

DN mm	Square mm	Closing direction	Reference
60	15.3	Anti-clockwise	RAA15G
80	15.3	Anti-clockwise	RAA15G
100	18.5	Anti-clockwise	RAA18G
125	18.5	Anti-clockwise	RAA18G
150	18.5 (vis V24)	Anti-clockwise	RAA18G
150	20.6 (vis V26)	Anti-clockwise	RAA19G
200	25.7	Anti-clockwise	RAA25G
250	25.7	Anti-clockwise	RAA25G

DN mm	Square mm	Closing direction	Reference
300	25.7	Anti-clockwise	RAA25G
350	28.9	Anti-clockwise	RAA29G

(\* ) Screw V24 before end 2010 – Screw V26 from 2011

## EURO 20 NEW

DN mm	Square mm	Reference
40	15.3	RAA15G
50	15.3	RAA15G
60	18.5	RAA18G
65	18.5	RAA18G
80	18.5	RAA18G
100	20.6	RAA19G
125	20.6	RAA19G
150	20.6	RAA19G
200	25.7	RAA25G
250	25.7	RAA25G
300	25.7	RAA25G
400	28.9	RAA29G

*The information on this sketch is, to the best of our knowledge correct at the time of printing. However Saint-Gobain are constantly looking at ways of improving their products and services therefore reserve the right to change without prior notice, any of the data shown. Any orders placed will be subject to our Standard Conditions of Sale, available on request.*