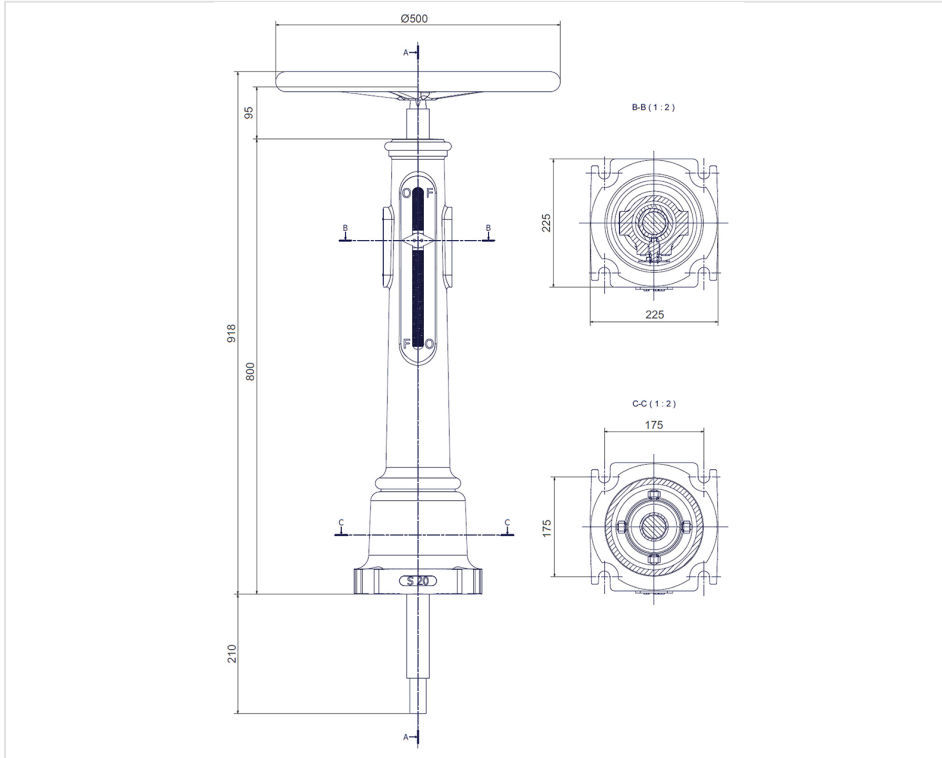


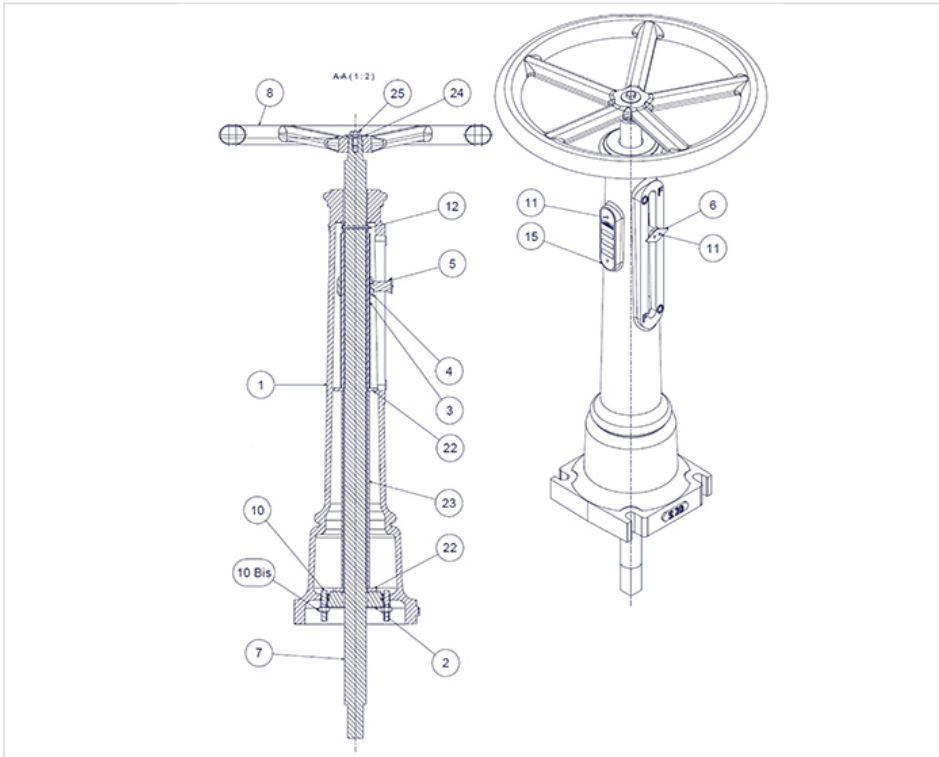
## Headstock with visual position indicator



Mass (kg)	References
49.00	162002
49.00	162004
49.00	162159
49.00	162160
49.00	162158
49.00	162005
49.00	166986



## Material and coating



Item	Quantity	Description	Material
1	1	Headstock S20	Cast iron EN GJL 250
2	1	Support plate	Cast iron EN GJL 250
3	1	Operating sleeve	Brass CuZu39Pb2
4	1	Operating nut	Bronze CuSn12
5	1	Indicator support	Stainless Steel
6	1	Indicator	Stainless Steel
7	1	Operating shaft	Steel Xc38
8	1	Handwheel of 500	Steel
10	4	Screw with hammer head HM 10 x 50	Steel
10 bis	4	Nut HM10	Steel
11	4	Rivet CTR1 2,5 x 8	Stainless Steel
12	1	Fluted pin G01 5 x 50	Steel
15	1	Identification plate	Stainless Steel
22	2	Washer M42 43 x 80 x 6	White steel with zinc plated

Item	Quantity	Description	Material
23	1	Reinforced Tube PVC 50	PVC
24	1	Washer LL10 10,5 x 36 x 2	White steel with zinc plated
25	1	Screw HM – 20 x 20	White steel with zinc plated

## EURO 20

DN mm	Number of turns	Closing direction	References
40-50	12.5	Clockwise	162001
300	50	Clockwise	162006
350	50	Clockwise	162006
400	70	Clockwise	162160

DN mm	Number of turns	Closing direction	References
40-50	12.5	Anti-clockwise	162155
300	50	Anti-clockwise	166987
350	50	Anti-clockwise	166987
400	70	Anti-clockwise	please contact us

## EURO 20 NEW

DN mm	Number of turns	Closing direction	References
40-50	16.5 +/- 1	Anti-clockwise	162158
60	17.5 +/- 1	Anti-clockwise	162158
65	17 +/- 1	Anti-clockwise	162158
80	21 +/- 1	Anti-clockwise	162158
100	23.5 +/- 1	Anti-clockwise	162005
125	28 +/- 1	Anti-clockwise	162005
150	33.5 +/- 1	Anti-clockwise	162005
200	36 +/- 1	Anti-clockwise	166986
250	44 +/- 1	Anti-clockwise	166986
300	54 +/- 1	Anti-clockwise	166987
400		Anti-clockwise	please contact us

DN mm	Number of turns	Closing direction	References
40-50	16.5 +/- 1	Clockwise	162002
60	17.5 +/- 1	Clockwise	162002
65	17 +/- 1	Clockwise	162002
80	21 +/- 1	Clockwise	162002
100	23.5 +/- 1	Clockwise	162004
125	28 +/- 1	Clockwise	162004
150	33.5 +/- 1	Clockwise	162159
200	36 +/- 1	Clockwise	162159
250	44 +/- 1	Clockwise	162006
300	54 +/- 1	Clockwise	162006
400		Clockwise	162160

## EURO 20 NG

DN mm	Number of turns	Closing direction	References
60-65	17	Clockwise	162002
80	17	Clockwise	162002
100	23	Clockwise	162002
125	28	Clockwise	162004
150	30	Clockwise	162004
200	33	Clockwise	162159
250	41.5	Clockwise	162159
300	50	Clockwise	162006
350	70	Clockwise	162006

DN mm	Number of turns	Closing direction	References
60-65	17	Anti-Clockwise	162158
80	17	Anti-Clockwise	162158
100	23	Anti-Clockwise	162158
125	28	Anti-Clockwise	162005
150	30	Anti-Clockwise	162005

DN mm	Number of turns	Closing direction	References
200	33	Anti-Clockwise	166986
250	41,5	Anti-Clockwise	166986
300	50	Anti-Clockwise	166987
350	70	Anti-Clockwise	166987

*The information on this sketch is, to the best of our knowledge correct at the time of printing. However Saint-Gobain are constantly looking at ways of improving their products and services therefore reserve the right to change without prior notice, any of the data shown. Any orders placed will be subject to our Standard Conditions of Sale, available on request.*