

Telescopic extension spindle for EURO 20 - EURO 20 NG - EURO 20 New



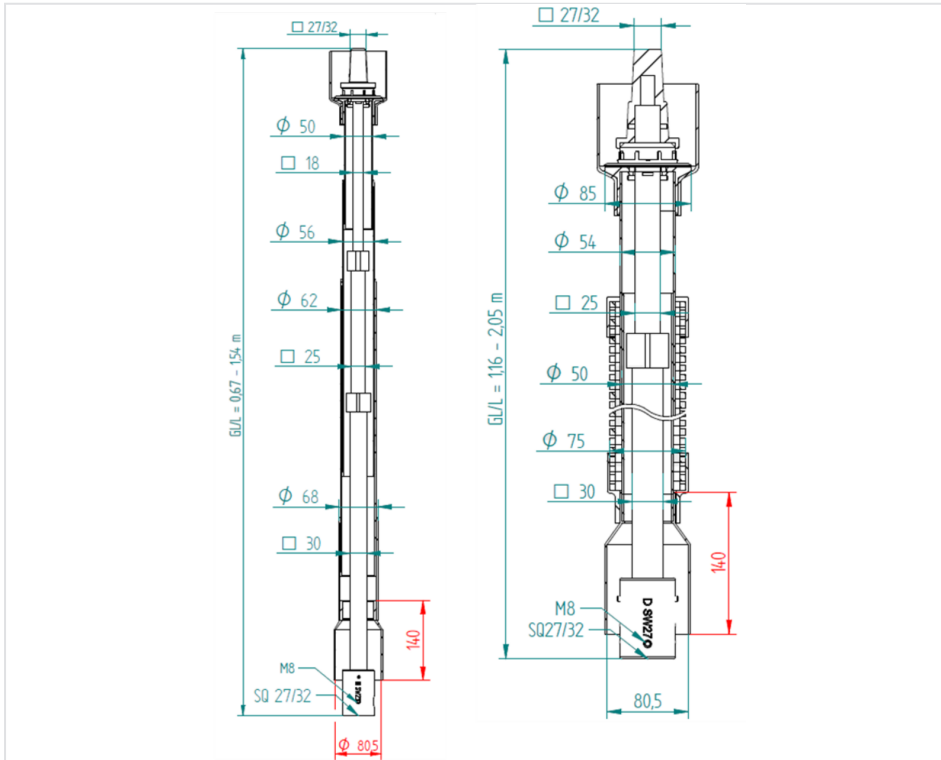
The telescopic extension spindle allows valve operation from the ground for EURO 20, EURO 20 NG and EURO 20 NEW gate valve.

Assembly of the operating assembly on a 30x30 operating square.

The height of the assembly can be easily adjusted through the integrated telescopic device.

[Equivalence of old and new Telescopic extension spindle](#)

Height range (mm)	Mass (kg)	References
670 - 1540	4.90	292164
1160 - 2005	8.90	292165



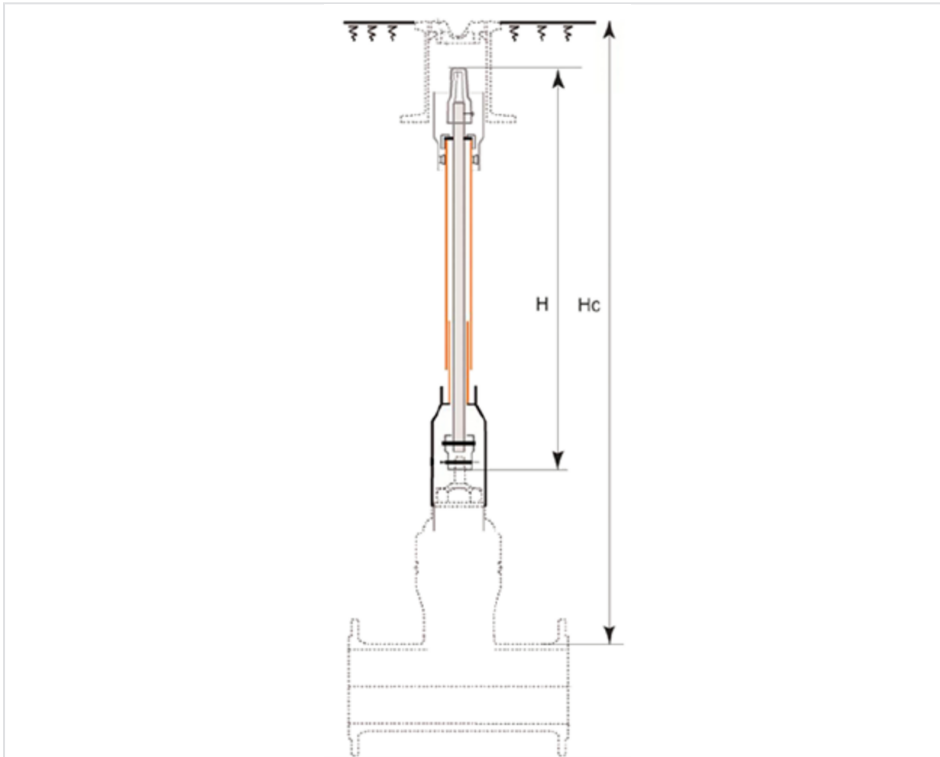
Support



EURO 20, EURO 20 NG, EURO 20 NEW ranges require dedicated support for extension spindle :

TYPE	DN	PVC	Ductile iron
EURO 20 NEW S14/S15	40-50	RAA80BDN	RAA80BBN
	65-150	RAA80CDN	RAA80CBN
	200-400	RAB20CDN	RAB20CBN
EURO 20 - EURO 20 NG	40-150	RAA80BDN	RAA80BBN
	200-400	RAA80CDN	RAA80CBN

Depth of cover



The depth of cover Hc is the distance between the upper generatrix of the pipe and the ground level. This height will depend of the diameter of the valve and the height of the extension (H).

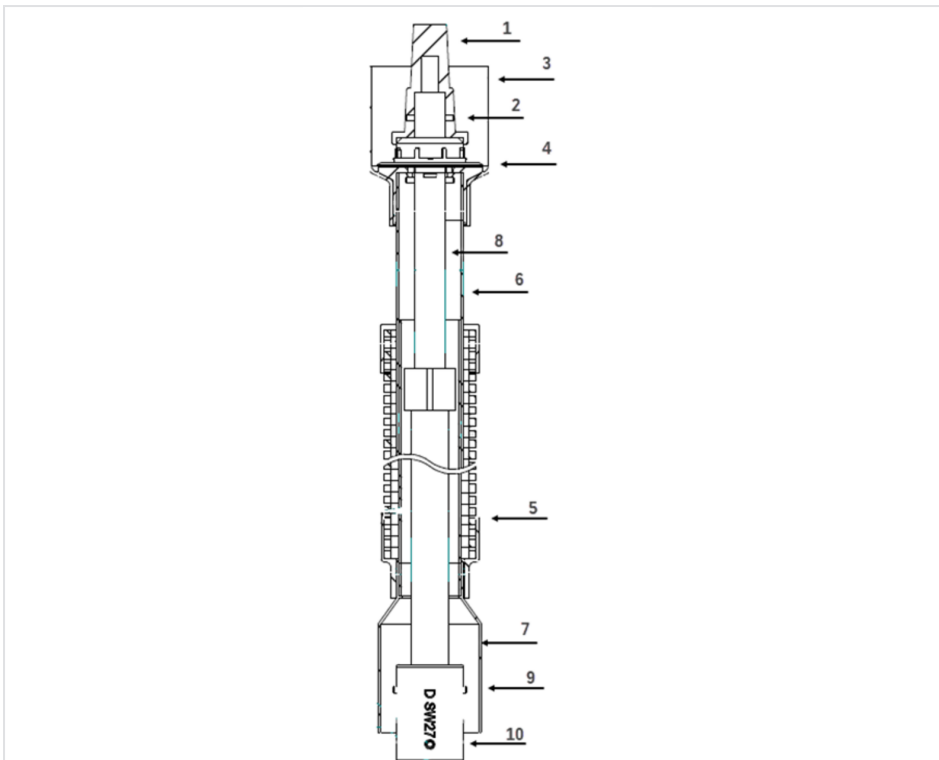
Hc mini corresponds to the minimum allow height after cutting (H=300mm)

Hc maxi corresponds the initial height of the extension before cutting (H=1000mm ou 1710mm)

EURO 20 - EURO 20 NG					EURO 20 NEW				
	292164		292165			292164		292165	
DN	Hc mini	Hc maxi	Hc mini	Hc maxi	DN	Hc mini	Hc maxi	Hc mini	Hc maxi
mm	mm	mm	mm	mm	mm	mm	mm	mm	mm
40	931	1801	1421	2266	40	931	1801	1421	2266
50	920	1790	1410	2255	50	921	1791	1411	2256
65	974,5	1844,5	1464,5	2309,5	65	950	1820	1440	2285
80	957	1827	1447	2292	80	966	1836	1456	2301
100	998,5	1868,5	1488,5	2333,5	100	986,5	1856,5	1476,5	2321,5
125	1033	1903	1523	2368	125	1014	1884	1504	2349

EURO 20 - EURO 20 NG					EURO 20 NEW				
	292164		292165			292164		292165	
DN mm	Hc mini mm	Hc maxi mm	Hc mini mm	Hc maxi mm	DN mm	Hc mini mm	Hc maxi mm	Hc mini mm	Hc maxi mm
150	1053	1923	1543	2388	150	1045,5	1915,5	1535,5	2380,5
200	1133	2003	1623	2468	200	1157	2027	1647	2492
250	1219	2089	1709	2554	250	1248	2118	1738	2583
300	1274,5	2144,5	1764,5	2609,5	300	1355,5	2225,5	1845,5	2690,5
350	1304	2174	1794	2639					
400	1463,5	2333,5	1953,5	2798,5					

Material and coating



Item	Designation	Material
1	Operating cap 30x30	Ductile iron GJS400-15 galvanised
2	Pin	Stainless steel
3	Tube adaptor	HDPE
4	Tube protection bonnet	HDPE

Item	Designation	Material
5	Protection tube D50x2	HDPE
6	Protection tube D54x2	HDPE
7	Bell tube	HDPE
8	Square rod	Steel S235JR galvanised
9	Pin	Stainless steel
10	Female head 30x30	Ductile iron GJS400-15 galvanised

Reminder of references for operating square



Operating cap DN40-150

DN mm	EURO 20 NEW	EURO 20	EURO 20 NG	
			FAH	FSH
40	162044	162044		
50	162044	162044		
60/65	162047		162044	162047
80	162047		162044	162047
100	162052		162047	162052
125	162052		162047	162052
150	162052		162052	162052
200	162065		162065	162065
250	162065		162065	162065
300	162065		162065	162065
350	162083		162083	162083
400	162083	162083		

For the EURO 20, EURO 20 NG and EURO 20 NEW ranges, coupling is done on the operating square.

The information on this sketch is, to the best of our knowledge correct at the time of printing. However Saint-Gobain are constantly looking at ways of improving their products and services therefore reserve the right to change without prior notice, any of the data shown. Any orders placed will be subject to our Standard Conditions of Sale, available on request.