

## Fix and cuttable extension spindle for EURO 20 - EURO 20 NG - EURO 20 NEW



The fix and cuttable extension spindle allows valve operation from the ground for EURO 20, EURO 20 NG and EURO 20 NEW gate valve.

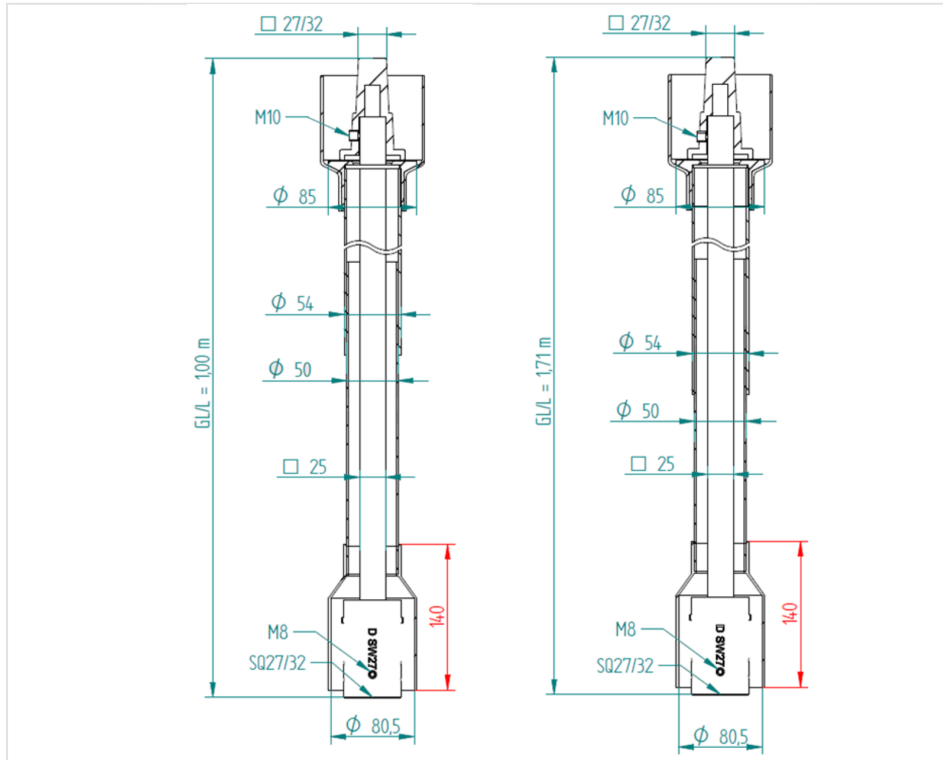
Assembly of the operating assembly on a 30x30 operating square.

The height of the extension can be adjusted by cutting the square rod and the extension tube.

### [Equivalence of old and new Fix and cuttable extension spindle](#)

L (mm)	L mini (mm)	Mass (kg)	References
1000	300	6.50	292162
1710	300	10.20	292163

L mini = Minimum allowed overall height after cutting



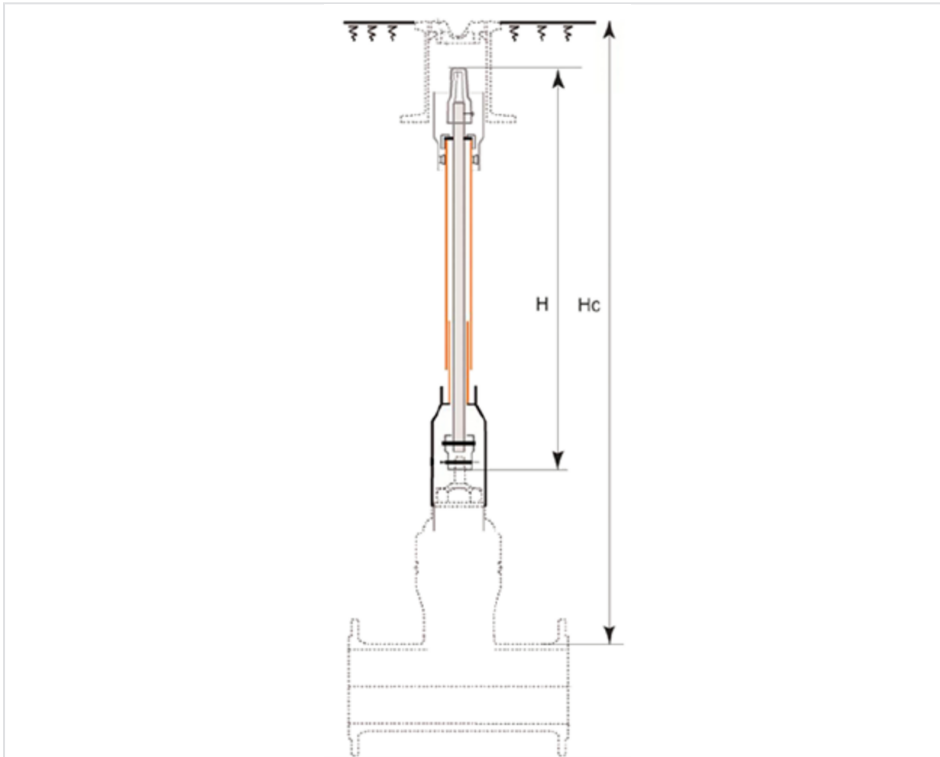
### Support



EURO 20, EURO 20 NG, EURO 20 NEW ranges require dedicated support for extension spindle :

TYPE	DN	PVC	Ductile iron
EURO 20 NEW S14/S15	40-50	RAA80BDN	RAA80BBN
	65-150	RAA80CDN	RAA80CBN
	200-400	RAB20CDN	RAB20CBN
EURO 20 - EURO 20 NG	40-150	RAA80BDN	RAA80BBN
	200-400	RAA80CDN	RAA80CBN

### Depth of cover



The depth of cover Hc is the distance between the upper generatrix of the pipe and the ground level. This height will depend of the diameter of the valve and the height of the extension (H).

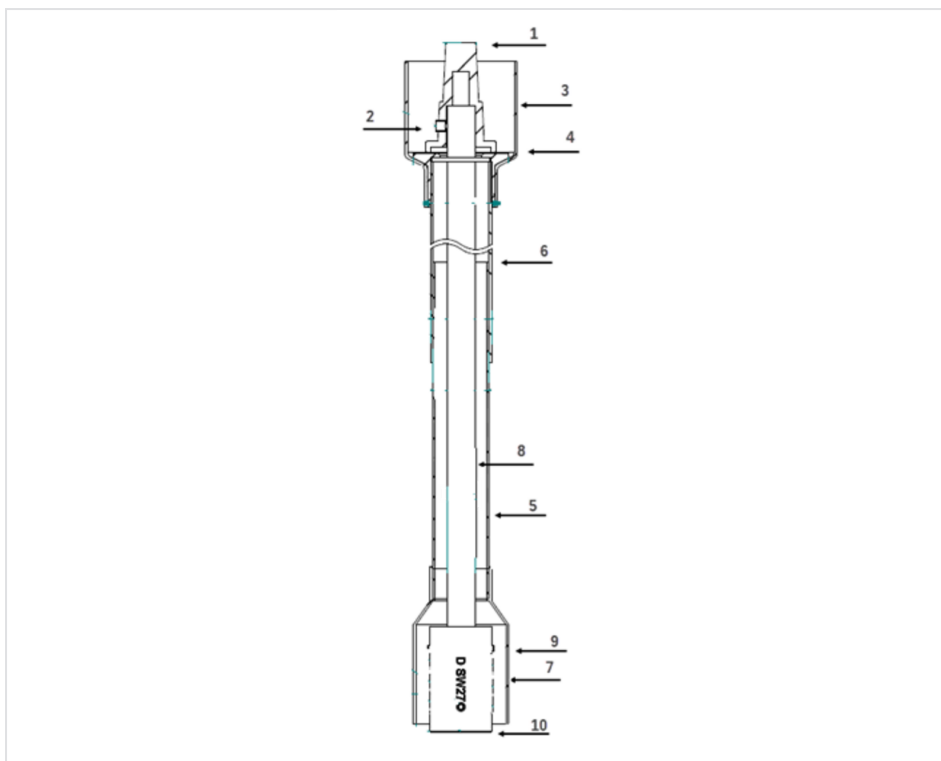
Hc mini corresponds to the minimum allow height after cutting (H=300mm)

Hc maxi corresponds the initial height of the extension before cutting (H=1000mm ou 1710mm)

EURO 20 - EURO 20 NG				EURO 20 NEW			
DN	Hc mini	Hc maxi		DN	Hc mini	Hc maxi	
mm	mm	mm	mm	mm	mm	mm	mm
		Ref 292162	Ref 292163			Ref 292162	Ref 292163
40	561	1261	1971	40	521	1261	1971
50	550	1250	1960	50	511	1251	1961
65	604,5	1304,5	2014,5	65	540	1280	1990
80	587	1287	1997	80	556	1296	2006
100	628,5	1328,5	2038,5	100	576,5	1316,5	2026,5
125	663	1363	2073	125	604	1344	2054

EURO 20 - EURO 20 NG				EURO 20 NEW			
DN	Hc mini	Hc maxi		DN	Hc mini	Hc maxi	
mm	mm	mm	mm	mm	mm	mm	mm
		Ref 292162	Ref 292163			Ref 292162	Ref 292163
150	683	1383	2093	150	635,5	1375,5	2085,5
200	763	1463	2173	200	747	1487	2197
250	849	1549	2259	250	838	1578	2288
300	904,5	1604,5	2314,5	300	945,5	1685,5	2395,5
350	934	1634	2344				
400	1093,5	1793,5	2503,5				

## Material and coating



Item	Designation	Material
1	Operation cap 30x30	Ductile iron GJS400-15 galvanised
2	Pin	Stainless steel
3	Tube adaptor	PE-HD
4	Tube protection bonnet	PE-HD

Item	Designation	Material
5	Protective tube D50x2	PE-HD
6	Protective tube D54x2	PE-HD
7	Bell tube	PE-HD
8	Square rod	Steel
9	Pin	Stainless steel
10	Female head 30x30	Ductile iron GJS400-15 galvanised

Reminder of references for operating square



Operating cap DN40-150

DN mm	EURO 20 NEW	EURO 20	EURO 20 NG	
			FAH	FSH
40	162044	162044		
50	162044	162044		
60/65	162047		162044	162047
80	162047		162044	162047
100	162052		162047	162052
125	162052		162047	162052
150	162052		162052	162052
200	162065		162065	162065
250	162065		162065	162065
300	162065		162065	162065
350	162083		162083	162083
400	162083	162083		

For the EURO 20, EURO 20 NG and EURO 20 NEW ranges, coupling is done on the operating square.

*The information on this sketch is, to the best of our knowledge correct at the time of printing. However Saint-Gobain are constantly looking at ways of improving their products and services therefore reserve the right to change without prior notice, any of the data shown. Any orders placed will be subject to our Standard Conditions of Sale, available on request.*