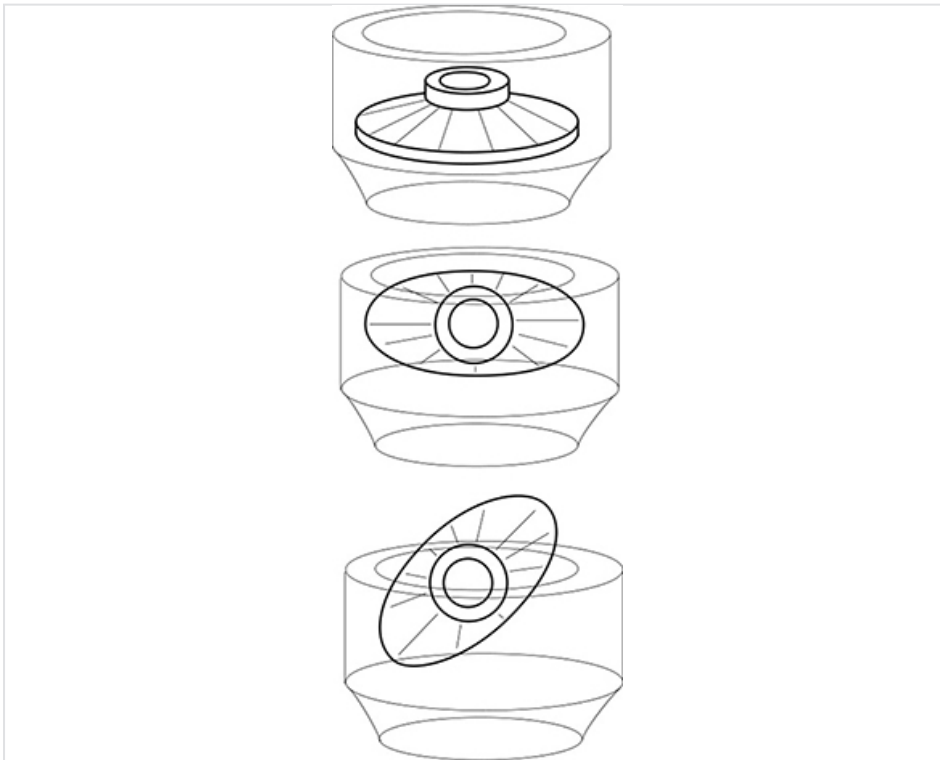


Spare parts for EURO20 NG - Bonnet disassembling



1. The operating stem is removed.
2. Make swivel the bonnet vertically on 90°.
3. Extract the bonnet from the body: upwards draw it by one from its ends

The information on this sketch is, to the best of our knowledge correct at the time of printing. However Saint-Gobain are constantly looking at ways of improving their products and services therefore reserve the right to change without prior notice, any of the data shown. Any orders placed will be subject to our Standard Conditions of Sale, available on request.