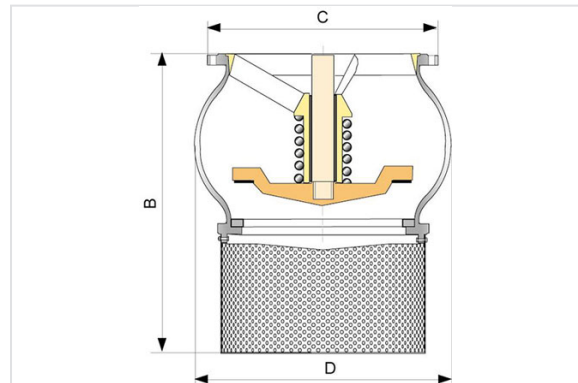


## Foot check valve with strainer



The axial foot check valve Type 302 is designed for the equipment of the pumping station. When the pumping stops, the disc is quickly closed by spring pressure before any overpressure occurs due to the return flow.

### Characteristics:

- Axial disc foot valve for protection and non-return on pumping equipment for either clean and/or filter water
- High hydraulic performance
- Total sealing (from 3 m.w.c. in vertical position)
- Silent operation
- May be fitted in horizontal or vertical position
- Excellent water hammer performance
- Temperature from -10°C to 10°C
- Anti-corrosion epoxy protection
- Easy maintenance

### Range

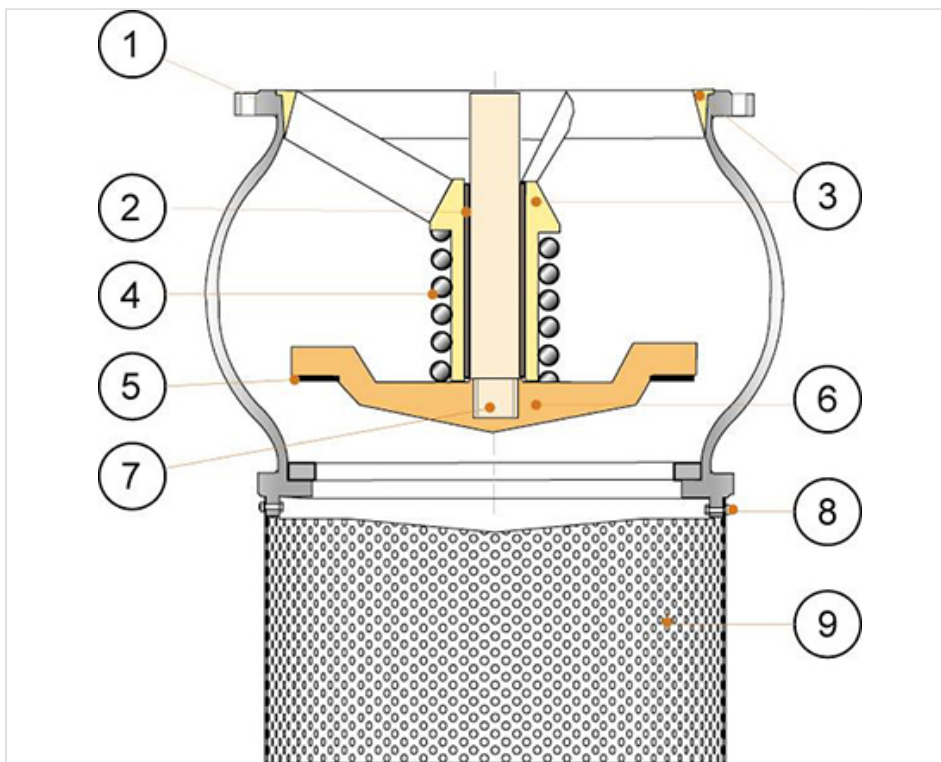
- DN65 to 100 in PFA 16
- DN125 to 300 in PFA 10
- On request : PFA 16 Type 312 from DN125 to 300

DN (mm)	B (mm)	K (mm)	D (mm)	PN 10		PN 16	
				Mass (kg)	References	Mass (kg)	References
65	185	185	125	11.00	RCA65NABH	11.00	RCA65NABH
80	218	200	150	17.00	RCA80NABH	17.00	RCA80NABH

DN (mm)	B (mm)	K (mm)	D (mm)	PN 10		PN 16	
				Mass (kg)	References	Mass (kg)	References
100	265	220	181	20.00	RCB10NABH	20.00	RCB10NABH
125	333	254	217	28.00	RCB12NABH	28.00	RCB12NABH
150	373	285	256	35.00	RCB15NABH	35.00	RCB15NABH
200	483	343	336	60.00	RCB20NABH	60.00	*
250	572	406	416	89.00	RCB25NABH	92.00	163655
300	652	482	486	128.00	RCB30NABH	133.00	163673
350	771	533	580	226.00	*	226.00	*
400	876	597	676	343.00	163704	343.00	*

(\*) consult us

### Material and coating



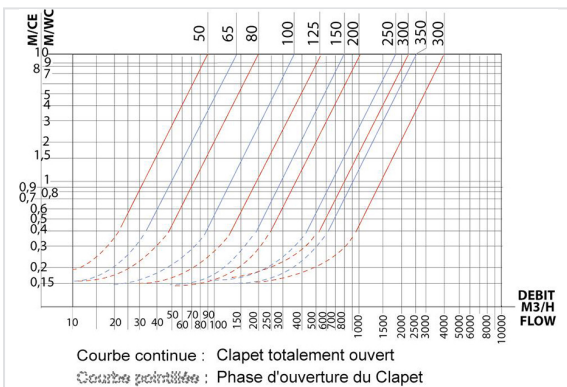
Item	Description	Material
1	Body	
2	Bush	
3	Guide DN50	Bronze CuSn5Zn5Pb5-C

Item	Description	Material
	Guide DN65-300	Cast Iron EN GJL 250 blue epoxy coated
4	Spring	Stainless steel X10CrNi18-8
5	Seals	Elastomer type EPDM
6	Monobloc Wedge DN50-65	Bronze CuSn5Zn5Pb5-C
	Wedge DN80-300	Cast iron EN GJL 250 blue epoxy coated
7	Stem	Bronze CuSn5Zn5Pb5-C
8	Screw	Galvanised steel Brass
9	Screen	Galvanised steel

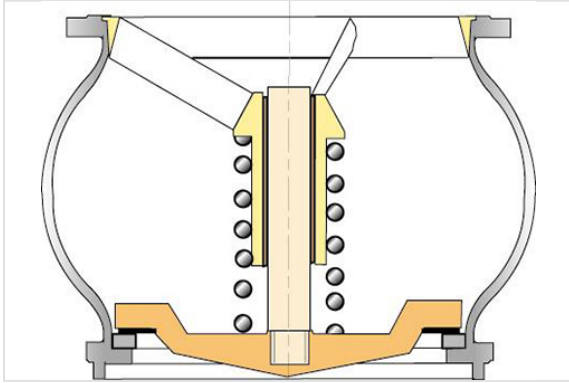
## Operating

DN	50	65	80	100	125	150	200	250	300	350	400
KV in m3/h	89	143	199	356	557	801	1008	1818	2210	2560	3930

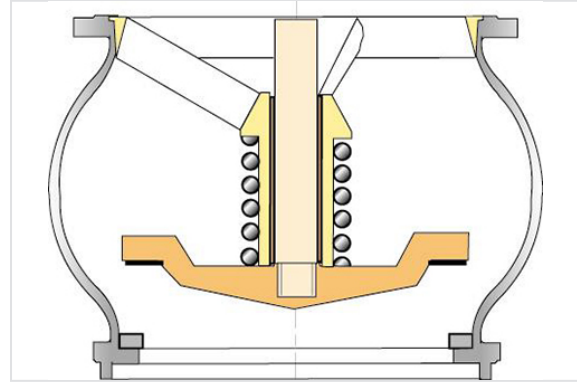
## Headloss



## Delta P



Closed position



Opened position

*The information on this sketch is, to the best of our knowledge correct at the time of printing. However Saint-Gobain are constantly looking at ways of improving their products and services therefore reserve the right to change without prior notice, any of the data shown. Any orders placed will be subject to our Standard Conditions of Sale, available on request.*