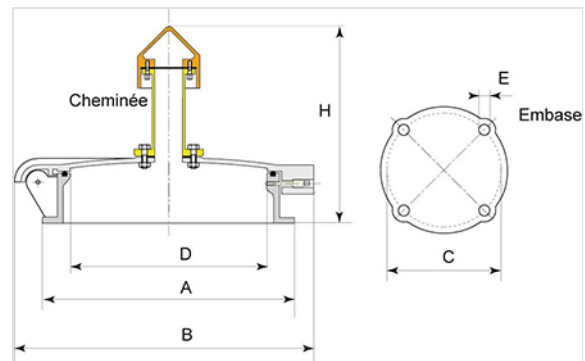
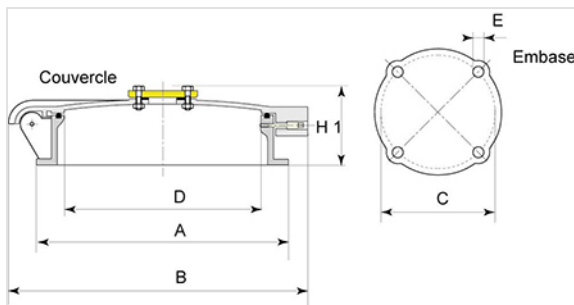


## Cast iron cover



Opening D (mm)	Version	A (mm)	B (mm)	H (mm)	C (mm)	E (mm)	Mass (kg)	References
600	without venting	740	900	130	750	22	111.00	161749
600	with venting	740	900	570	750	22	132.00	161738

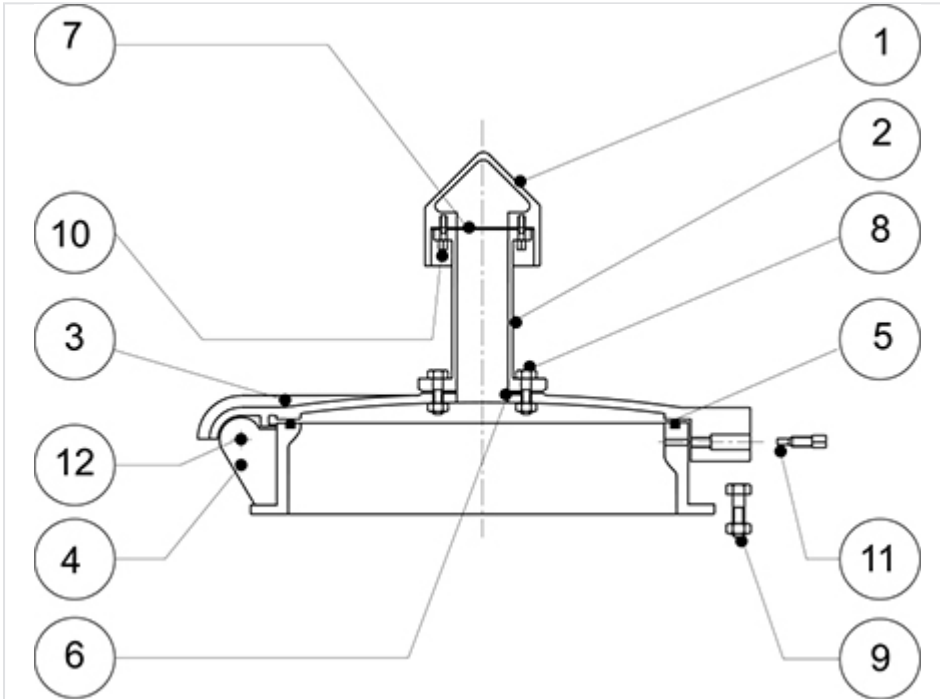


The closing of the shaft cover is secured by:

- An anchoring by a triangular cap screw
- a fixation of the shaft's cap by triangular cap screws.

That key has to be ordered at the same time as the shaft cover.

## Material and coating



Item	Designation	Material	Coating
1	Cap	Cast iron GS	Bitumen
2	Shaft	Cast iron GS	Bitumen
3	Covering cap	Cast iron GS	Bitumen
4	Base	Cast iron GS	Bitumen
5	Circular joint	Elastomer	
6	Superior joint	Elastomer	
7	Shaft sieve	Steel mesh	Brass
8	4 bolts 14 X 70	Steel	Zinc
9	4 bolts 20 X 80	Steel	Zinc
10	4 triangular cap screws	Brass	
11	Triangular closing screw	Brass	
12	Axis of the shaft cover	Inox	

## Accessories and spare parts

Designation	References
Operating key	161750
Cover with bolts	184087
Ventilation chimney	161751
Triangular screw	185642
Joint	161752

*The information on this sketch is, to the best of our knowledge correct at the time of printing. However Saint-Gobain are constantly looking at ways of improving their products and services therefore reserve the right to change without prior notice, any of the data shown. Any orders placed will be subject to our Standard Conditions of Sale, available on request.*