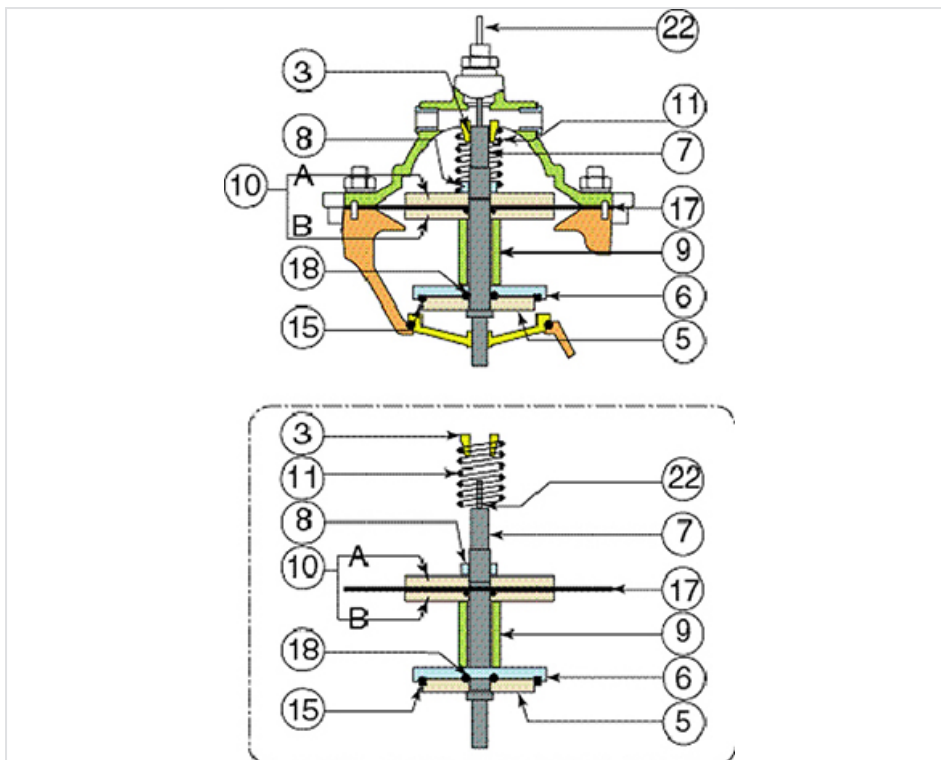


Kit Basic valve – Moving system open/shut

DN	Mass	References
DN50, 60/65, 80	1.00 kg	161910
DN100	1.00 kg	161918
DN125	2.00 kg	161923
DN150, 200	2.00 kg	161928
DN250	3.00 kg	161934
DN300, 350	67.00 kg	161941
DN400	40.00 kg	161947
DN500	6.00 kg	161953
DN600	8.00 kg	161957
DN700	10.00 kg	161962

Details



Kit with

- Item 3: 1 cover bearing
- Item 5: 1 quad ring retainer plate
- Item 6: 1 quad ring retainer
- Item 7: 1 stem
- Item 8: 1 stem nut
- Item 9: 1 spacer
- Item 10A: upper diaphragm washer
- Item 10B: lower diaphragm washer
- Item 11: 1 spring
- Item 15: 1 quad ring
- Item 17: 1 diaphragm
- Item 18: 1 O'ring
- Item 22: 1 position indicator stem

Note: this kit is delivered assembled.

The information on this sketch is, to the best of our knowledge correct at the time of printing. However Saint-Gobain are constantly looking at ways of improving their products and services therefore reserve the right to change without prior notice, any of the data shown. Any orders placed will be subject to our Standard Conditions of Sale, available on request.