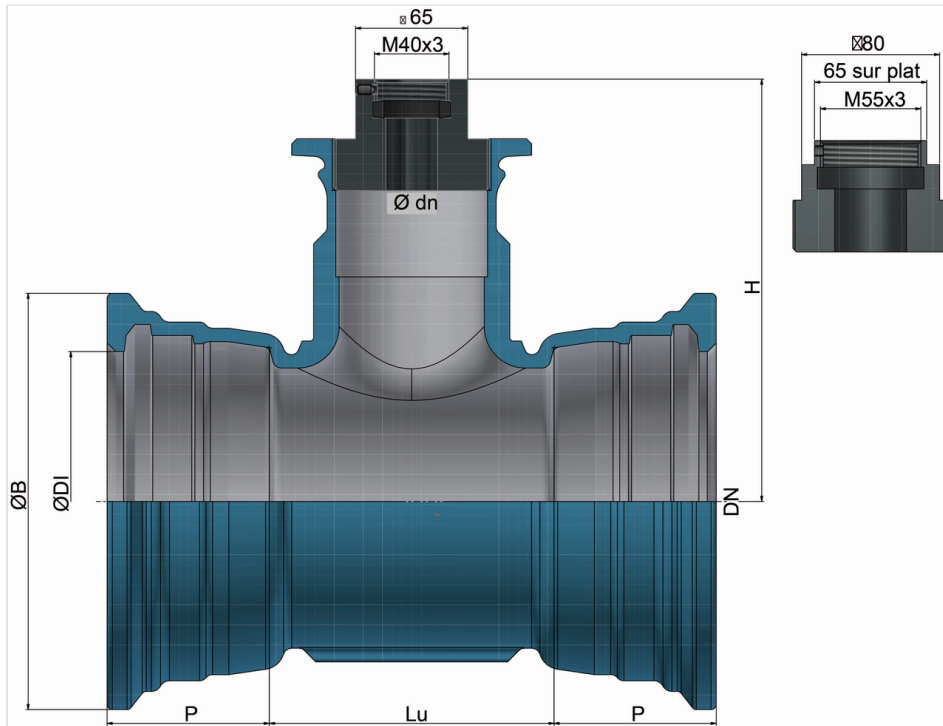


NEXUS Standard Double Socket Tee with threaded derivation



DN (mm)	Version	Mass (kg)	References
100	M40 metric threading	14.60	NSB10UD1EPB
100	M55 metric threading	14.60	NSB10UD1EGB
125	M40 metric threading	16.80	NSB12UD1EPB
125	M55 metric threading	16.80	NSB12UD1EGB
150	M40 metric threading	19.60	NSB15UD1EPB
200	M40 metric threading	27.00	NSB20UD1EPB
200	M55 metric threading	27.00	NSB20UD1EGB
250	M40 metric threading	31.80	NSB25UD1EPB
250	M55 metric threading	31.80	NSB25UD1EGB
300	M40 metric threading	42.00	NSB30UD1EPB
300	M55 metric threading	42.00	NSB30UD1EGB

(* standard M40 or M55 metric threading, other type of threading on request



DN	Lu	H	P	Ø DI	Ø B
mm	mm	mm	mm	mm	mm
100	185	211.5	88	121.4	187.5
125	165	229.5	91	147.4	214.5
150	165	244.5	94	173.4	241.0
200	170	274.5	100	225.5	294.0
250	155	299.5	105	277.8	351.0
300	155	329.5	110	329.8	408.3

Benefits:

NEXUS Tee brings reliability and sustainability to your threaded derivation. Thanks to the absence of boltings NEXUS Tee is the choice of long term performance. It is **THE** alternative to usual tapping collar for housing connection.

Field of use:

- For water network
- Standard version for housing connection cock ferrule Nexus M40 metric threading (PB = M40 x 3) and M55 metric threading (GB = M55 x 3)
- Other Threading on request

Main features:

- Fitting body in ductile iron, threaded derivation cap in steel
- Internal / external coating: blue epoxy 150 µm mini
- Comply with EN 545:2010 and ISO 2531:2009
- Fitting delivered without socket gasket
- Working pressure PFA = 16 bar
- Production unitary test : tightness test at 24 bar

The information on this sketch is, to the best of our knowledge correct at the time of printing. However Saint-Gobain are constantly looking at ways of improving their products and services therefore reserve the right to change without prior notice, any of the data shown. Any orders placed will be subject to our Standard Conditions of Sale, available on request.