

Tapping saddles for PVC and PE pipes



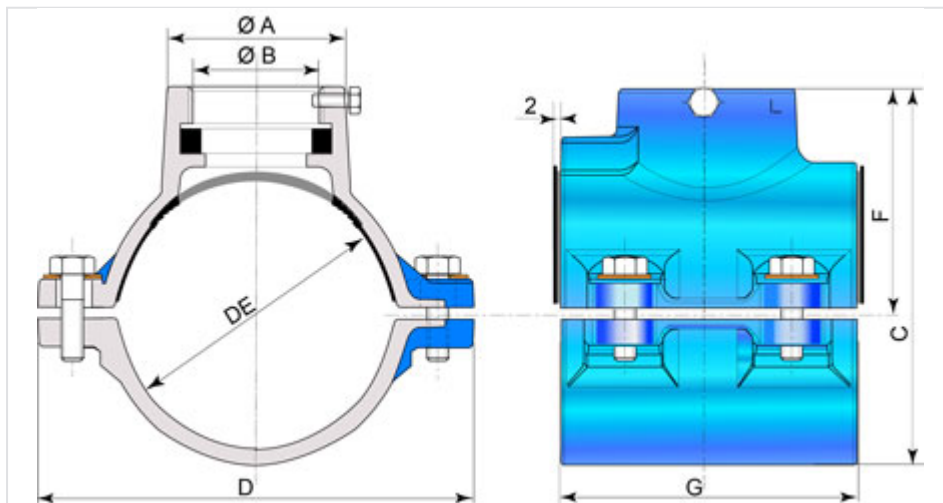
The tapping saddles Manicotto Plus are part of range PAM NEXUS for house connection. Manicotto Plus is used on pipelines in polyethylene and PVC for working pressure (PFA) of 16 bars.

The tapping saddle Manicotto Plus is available from DE 50 to DE 225 mm with outlet from ¾" to 2" (with totally free flow section). Working pressure (PFA) 16 bar – Test pressure 25 bar.

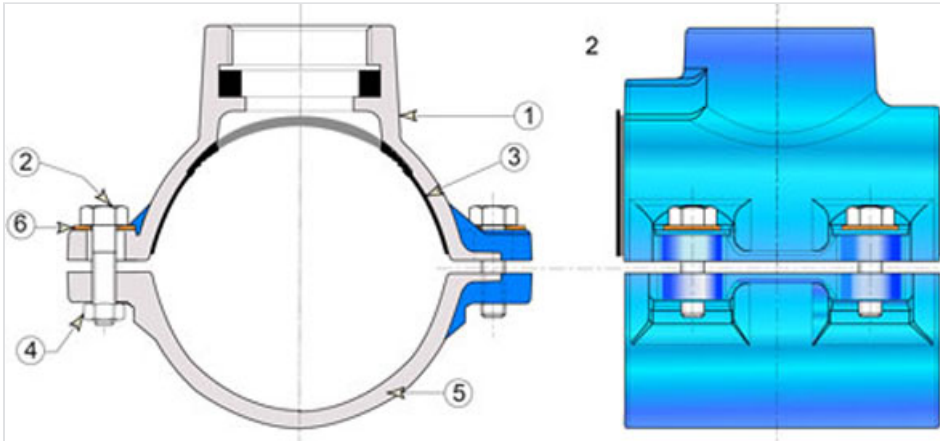
Ø DE mm	A mm	B mm	D mm	C mm	F mm	G mm	Mass kg
50	¾"	Ø43	116	85	54	110	1.75
50	1"	Ø55	116	85	54	110	1.85
50	1¼"	Ø55	116	85	54	110	1.73
63	¾"	Ø43	131	135	64.5	110	2.2
63	1"	Ø55	131	135	64.5	110	2.25
63	1¼"	Ø55	131	135	64.5	110	2.2
63	1½"	Ø73	131	140.5	70	110	2.6
63	2"	Ø73	131	140.5	70	110	2.4
75	¾"	Ø43	145	114.5	70	110	2.35
75	1"	Ø55	145	114.5	70	110	2.45
75	1¼"	Ø55	145	114.5	70	110	2.35
75	1½"	Ø73	145	121.5	77	110	2.8
75	2"	Ø73	145	121.5	77	110	2.3
90	¾"	Ø43	159	131.5	79.5	122	2.85

Ø DE mm	A mm	B mm	D mm	C mm	F mm	G mm	Mass kg
90	1"	Ø55	159	131.5	79.5	122	2.65
90	1¼"	Ø55	159	131.5	79.5	122	2.53
90	1½"	Ø73	159	131.5	83.5	122	2.83
90	2"	Ø73	159	131.5	83.5	122	2.61
110	¾"	Ø43	179	151.5	88	122	3.15
110	1"	Ø55	179	151.5	88	122	3
110	1¼"	Ø55	179	151.5	88	122	2.9
110	1½"	Ø73	179	156.5	93	122	3.2
110	2"	Ø73	179	156.5	93	122	3
125	1"	Ø55	195	166	96.5	122	3.35
125	1¼"	Ø55	195	166	96.5	122	3.25
125	1½"	Ø73	195	169	99.5	122	3.5
125	2"	Ø73	195	169	99.5	122	3.3
140	1"	Ø55	210	181	104	122	3.55
140	1¼"	Ø55	210	181	104	122	3.15
140	1½"	Ø73	210	184	107	122	3.4
140	2"	Ø73	210	184	107	122	3.15
160	1"	Ø55	230	200	113	122	3.8
160	1¼"	Ø55	230	200	113	122	3.4
160	1½"	Ø73	230	203	116	122	3.7
160	2"	Ø73	230	203	116	122	3.45
180	1"	Ø55	251	223	126	122	4.5
180	1¼"	Ø55	251	223	126	122	4.05
180	1½"	Ø73	251	226	129	122	4.2
180	2"	Ø73	251	226	129	122	4.2
200	1"	Ø55	271	242	135	140	5.2
200	1¼"	Ø55	271	242	135	140	4.75
200	1½"	Ø73	271	245	138	140	5
200	2"	Ø73	271	245	138	140	4.83
225	1"	Ø55	297	267.5	148	140	5.7
225	1¼"	Ø55	297	267.5	148	140	5.2
225	1½"	Ø73	297	270.5	151	140	5.5
225	2"	Ø73	297	270.5	151	140	5.3

Ø DE	A	B	D	C	F	G	Mass
mm	mm	mm	mm	mm	mm	mm	kg
250	1"	Ø55	327	304	162	140	6.4
250	1¼"	Ø55	327	304	162	140	6.2
250	1½"	Ø73	327	308	166	140	6.6
250	2"	Ø73	327	308	166	140	6.4
280	1"	Ø55	358	338	180	140	7.6
280	1¼"	Ø55	358	338	180	140	7.5
280	1½"	Ø73	358	338	180	140	7.7
280	2"	Ø73	358	338	180	140	7.5
315	1"	Ø55	395	371	196	140	8.7
315	1¼"	Ø55	395	371	196	140	8.6
315	1½"	Ø73	395	380	204	140	8.9
315	2"	Ø73	395	380	204	140	8.7



Materials and coatings



Item	Designation	Material	Coating
1	½ Up Body	Ductile Iron GS400-15 EN 1563	Epoxy 250 µm
2	Screw	Steel class 8/8 UNI 5739	Galvanic protection. Tropical passivation hexavalent chrome
3	Joint Up body/Pipe	EPDM rubber	
4	Nut	Steel class 8/8 UNI 5739	Galvanic protection. Tropical passivation hexavalent chrome
5	½ Down Body	Ductile Iron	Epoxy 250 µm
6	Washer	Steel class 8/8 UNI 5739	Galvanic protection. Tropical passivation hexavalent chrome

Technical characteristics

Female gas thread fitting UNI ISO 228/1.

Available upon request with screws in stainless steel AISI A2 and/or rubberized lower half-body.

The new tapping saddle Manicotto Plus have 4 lips profiles on the gasket seal that increases the tightness with the pressure.

The coating is hot applied with fusion bond process, medium thickness 250 micron.

The body is longer to distribute uniformly the compression force.

The holes of clamping are threaded to facilitate the installation.

Applicable Standards

Test

The NEXUS products are produced and tested in according to ISO EN9001. Coating tests: thickness test, holiday test, impact test, MIBK test.

Conformity to the standards

Suitability for potable water:

- Italian D.M. 174 of 06/04/2007
- KTW, ACS, WRAS

Female gas thread fitting complies with UNI ISO 228/1.

Instructions for use

Storage

The equipment has to be stored in covered places, protected from the sun, rain and all other atmospheric agents. Moreover it has to be avoided that the seal of the same valves comes in contact with powder and dirt.

Installation

- Position the two half bodies on the pipeline to bypass, keeping them equidistant
- Insert the screws on the thread holes and screw until partial tightening, always keeping the two half bodies equidistant
- Gradually and uniformly tighten crosswise with the apposite key until tightening the two half bodies. Torque in according to UNI 3740
- To complete the installation, fit the apposite bypass fitting or interception valve onto the thread outlet

The information on this sketch is, to the best of our knowledge correct at the time of printing. However Saint-Gobain are constantly looking at ways of improving their products and services therefore reserve the right to change without prior notice, any of the data shown. Any orders placed will be subject to our Standard Conditions of Sale, available on request.