

Tapping saddles MPE metric threaded outlet and fixing screw

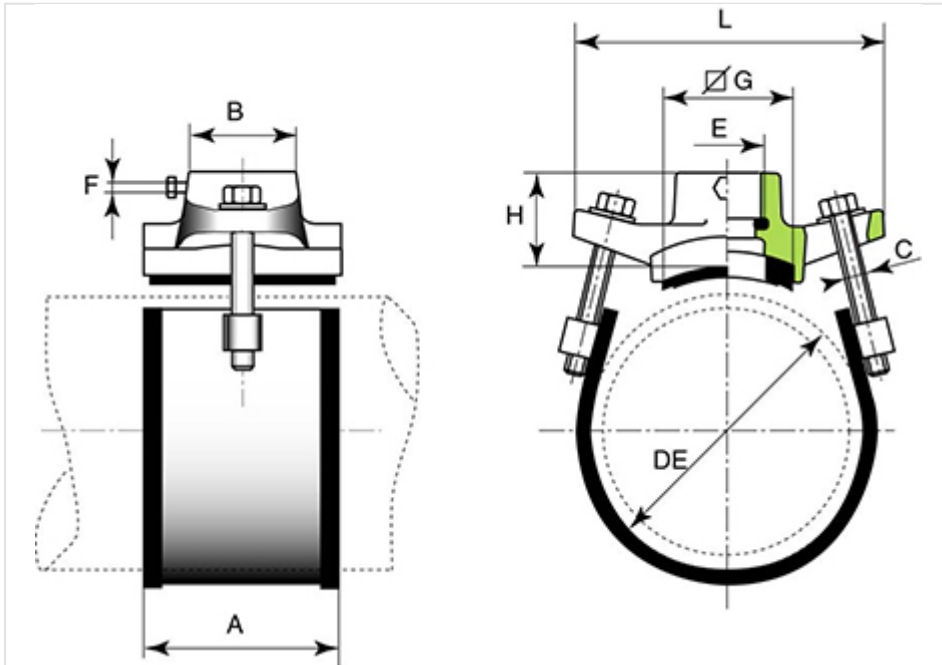


Tapping saddles MPE are in conformity with EN545-2010.

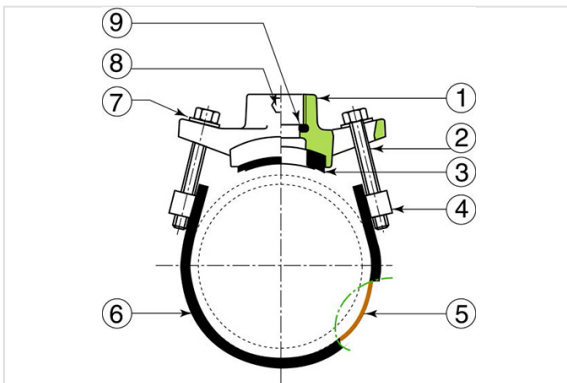
| DN/OD (mm) | ØDE mini (mm) | ØDE maxi (mm) | Threaded | Mass (kg) | References |
|------------|---------------|---------------|----------|-----------|------------|
| 75 | 75 | 83 | M40 | 1.80 | RSL75CPABB |
| 90 | 88 | 100 | M40 | 2.00 | RSL90CPABB |
| 90 | 88 | 100 | M55 | 2.20 | RSL90CQABB |
| 110 | 110 | 122 | M40 | 2.40 | RSM11CPABB |
| 110 | 110 | 122 | M55 | 2.30 | RSM11CQABB |
| 125 | 125 | 137 | M40 | 2.40 | RSM12CPABB |
| 125 | 125 | 137 | M55 | 2.30 | RSM12CQABB |
| 140 | 139 | 150 | M40 | 2.60 | RSM14CPABB |
| 140 | 139 | 150 | M55 | 2.70 | RSM14CQABB |
| 160 | 160 | 172 | M40 | 2.70 | RSM16CPABB |
| 160 | 160 | 172 | M55 | 2.80 | RSM16CQABB |
| 180 | 180 | 192 | M40 | 2.80 | RSM18CPABB |
| 180 | 180 | 192 | M55 | 2.90 | RSM18CQABB |
| 200 | 200 | 220 | M40 | 3.10 | RSB20CPABB |
| 200 | 200 | 220 | M55 | 3.50 | RSB20CQABB |
| 225 | 222 | 234 | M40 | 3.10 | RSB22CPABB |
| 225 | 222 | 234 | M55 | 3.50 | RSB22CQABB |
| 250 | 250 | 275 | M55 | 6.10 | RSB25CQABB |

| DN/OD (mm) | ØDE mini (mm) | ØDE maxi (mm) | Threaded | Mass (kg) | References |
|------------|---------------|---------------|----------|-----------|------------|
| 315 | 315 | 336 | M55 | 6.80 | RSM31CQABB |

| DN/OD (mm) | A (mm) | B (mm) | C | G (mm) | H (mm) | L (mm) |
|------------|--------|--------|-----|--------|--------|--------|
| 75 | 58 | 63 | M12 | 68 | 44 | 139 |
| 90 | 88 | 63 | M12 | 88 | 43 | 162 |
| 90 | 88 | 73 | M12 | 84x92 | 45 | 172 |
| 110 | 88 | 63 | M12 | 80 | 50 | 172 |
| 110 | 88 | 73 | M12 | 88 | 49 | 172 |
| 125 | 88 | 63 | M12 | 80 | 50 | 172 |
| 125 | 88 | 73 | M12 | 88 | 49 | 172 |
| 140 | 88 | 63 | M12 | 80x82 | 55 | 184 |
| 140 | 88 | 73 | M12 | 88 | 57 | 188 |
| 160 | 88 | 63 | M12 | 80x82 | 55 | 184 |
| 160 | 88 | 73 | M12 | 88 | 57 | 188 |
| 180 | 88 | 63 | M12 | 80x82 | 55 | 184 |
| 180 | 88 | 73 | M12 | 88 | 57 | 188 |
| 200 | 88 | 63 | M12 | 80x90 | 60 | 216 |
| 200 | 88 | 75 | M12 | 88 | 62 | 216 |
| 225 | 88 | 63 | M12 | 80x90 | 60 | 216 |
| 225 | 88 | 75 | M12 | 88 | 62 | 216 |
| 250 | 88 | 85x85 | M12 | 125 | 58 | 238 |
| 315 | 88 | 85x85 | M12 | 125 | 58 | 260 |



Materials and coatings



| Item | Designation | Material | Coating |
|------|--------------------|--------------------------|--------------|
| 1 | Body | Ductile iron | Epoxy 250 µm |
| 2 | Screw | Stainless steel type 304 | |
| 3 | Seal pipe / saddle | EPDM Rubber | |
| 4 | Nut | Stainless steel type 304 | Passivated |
| 5 | Band | Stainless steel type 304 | Passivated |
| 6 | Rubber / band | EPM/TN Rubber | |
| 7 | Wash | Stainless steel type 304 | |

| Item | Designation | Material | Coating |
|------|-----------------------------|---------------------|--------------------|
| 8 | Fixing screw | Stainless class 8-8 | Zinc Plating Zn/Fe |
| 9 | Nozzle joint for stop valve | EPDM Rubber | |

The information on this sketch is, to the best of our knowledge correct at the time of printing. However Saint-Gobain are constantly looking at ways of improving their products and services therefore reserve the right to change without prior notice, any of the data shown. Any orders placed will be subject to our Standard Conditions of Sale, available on request.