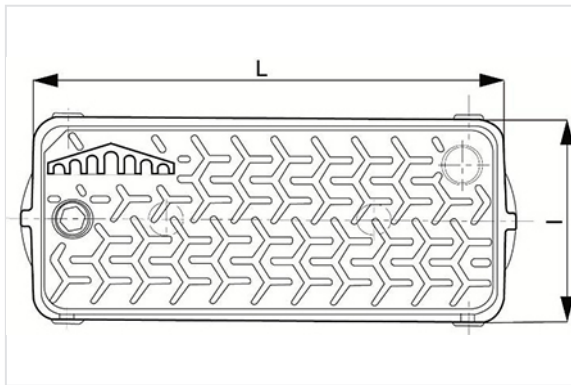
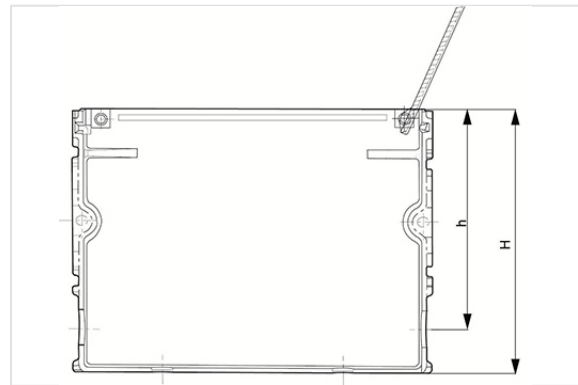


## Water meter with anchoring device

Cover



Box



Version	h (mm)	H (mm)	L (mm)	l (mm)	Mass (kg)	References
L=370 x l=150 x H=150	105	150	370	150	11.00	FTBC31AX17
L=436 x l=171 x H=160	114	160	436	171	16.10	FTBC41BX17
L=436 x l=171 x H=316	263	316	436	171	24.50	FTBC41CX17

*The information on this sketch is, to the best of our knowledge correct at the time of printing. However Saint-Gobain are constantly looking at ways of improving their products and services therefore reserve the right to change without prior notice, any of the data shown. Any orders placed will be subject to our Standard Conditions of Sale, available on request.*