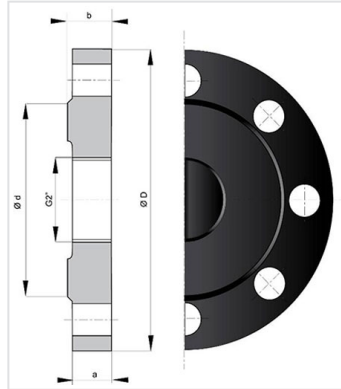


Alpinal Blank Flange 2" Gas DN80-300



DN	PN 10		PN 100		PN 16		PN 25		PN 40		PN 63	
	Mass	References	Mass	References	Mass	References	Mass	References	Mass	References	Mass	References
80 mm			9.40 kg	ABA80QNB								
100 mm	4.30 kg	ABB10QN1	14.30 kg	ABB10QNB	4.30 kg	ABB10QN1	4.80 kg	ABB10QN3	4.80 kg	ABB10QN3	10.10 kg	ABB10QN5
125 mm	5.60 kg	ABB12QN1	27.00 kg	ABB12QNB	5.60 kg	ABB12QN1	6.20 kg	ABB12QN3	6.20 kg	ABB12QN3	18.70 kg	ABB12QN5
150 mm			42.00 kg	ABB15QNB			11.10 kg	ABB15QN3	11.10 kg	ABB15QN3	28.60 kg	ABB15QN5
200 mm			75.00 kg	ABB20QNB	11.00 kg	ABB20QN2			20.00 kg	ABB20QN4	49.00 kg	ABB20QN5
250 mm									33.50 kg	ABB25QN4	68.00 kg	ABB25QN5
300 mm	26.00 kg	ABB30QN1							51.50 kg	ABB30QN4	98.00 kg	ABB30QN5

DN	PN	Ø D	a	b	Ø d
80 mm	100	230 mm	35 mm	38 mm	138 mm
100 mm	10 16	220 mm	16 mm	19 mm	156 mm
100 mm	25 40	235 mm	16 mm	19 mm	156 mm
100 mm	63	250 mm	30 mm	33 mm	156 mm
100 mm	100	265 mm	39 mm	42 mm	162 mm
125 mm	10 16	250 mm	16 mm	19 mm	184 mm
125 mm	25 40	270 mm	20.5 mm	23.5 mm	184 mm
125 mm	63	295 mm	34 mm	37 mm	184 mm

DN	PN	Ø D	a	b	Ø d
125 mm	100	315 mm	41 mm	44 mm	188 mm
150 mm	25 40	300 mm	23 mm	26 mm	211 mm
150 mm	63	345 mm	36 mm	39 mm	211 mm
150 mm	100	355 mm	51 mm	54 mm	218 mm
200 mm	16	360 mm	19 mm	22 mm	274 mm
200 mm	40	375 mm	27 mm	30 mm	284 mm
200 mm	63	415 mm	43 mm	46 mm	284 mm
200 mm	100	430 mm	63 mm	66 mm	285 mm
250 mm	40	450 mm	31.5 mm	34.5 mm	345 mm
250 mm	63	470 mm	47 mm	50 mm	345 mm
300 mm	10	455 mm	20.5 mm	24.5 mm	370 mm
300 mm	40	515 mm	35.5 mm	39.5 mm	409 mm
300 mm	63	530 mm	53 mm	57 mm	409 mm

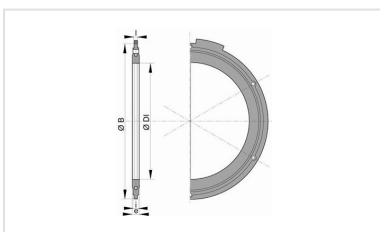
Field of use:

- For connecting and water supply of snow guns
- Working networks under very high pressures

Main characteristics:

- Internal and external lining : bituminous paint
- Thickness of ductile iron adapted to the pressure
- Elastomer of quality EPDM
- Class : pressure class according to EN 545 and ISO 2531

Linked products



Flanged joint with hot galvanised steel bolts, nuts and washers for ALPINAL



ALPINAL HIGH PRESSURE AND INDUSTRY DN 80 - 300

06/06/2026
WALFF24FIF200

The information on this sketch is, to the best of our knowledge correct at the time of printing. However Saint-Gobain are constantly looking at ways of improving their products and services therefore reserve the right to change without prior notice, any of the data shown. Any orders placed will be subject to our Standard Conditions of Sale, available on request.