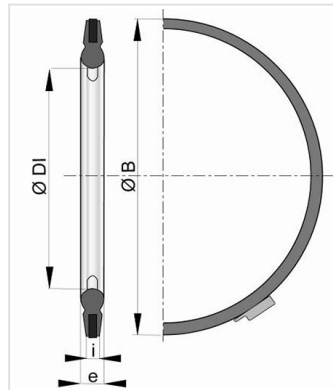


Flanged Gasket for flanged joint PN40-63



PN	DN (mm)	ØB (mm)	ØDI (mm)	i (mm)	e (mm)	Mass (kg)	References
40 63	400	538	423	10	15	3.06	JBB40GV4
40	500	623	528	10	15	3.06	JBB50GV4
63	500	653	528	10	15	3.06	JBB50GV5
40	600	737	622	10	15	4.40	JBB60GV4

Field of use:

- For connecting and water supply of snow guns
- Working networks under very high pressures

Main characteristics:

- Elastomer quality: EPDM
- Excellent mechanical behaviour
- Watertightness which requires less torque

The information on this sketch is, to the best of our knowledge correct at the time of printing. However Saint-Gobain are constantly looking at ways of improving their products and services therefore reserve the right to change without prior notice, any of the data shown. Any orders placed will be subject to our Standard Conditions of Sale, available on request.