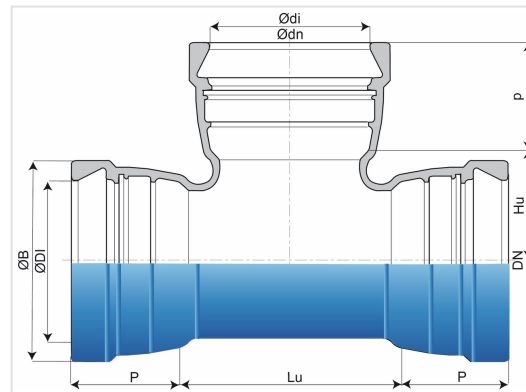


ALPINAL All Socket Tee Universal Tyton



DN (mm)	Ødn (mm)	Lu (mm)	P (mm)	ØDI (mm)	ØB (mm)	Hu (mm)	p (mm)	Ødi (mm)	Mass (kg)	References
250	100	200	160.6	276.5	347	170	139	120.5	58.00	SKB25TE0FTT
300	200	320	173.5	328.5	406	205	154	224.5	94.00	SKB30TE0KTT
300	300	435	173.5	328.5	406	220	173.5	328.5	118.00	SKB30TE0MTT

Field of use:

- For connecting and water supply of snow guns
- Working networks under very high pressures

Main characteristics:

- External and internal coating : Blue epoxy powder 250 microns average thickness with a minimum of 200 microns, conforming to EN 14901-1 (PECB)
- Thickness of ductile iron adapted to the pressure
- Elastomer of quality EPDM
- Class : pressure class according to EN 545 and ISO 2531

Linked products



Kit ALPINAL Universal
Tyton Fitting PECB +
Universal Tyton Joint



Kit ALPINAL Universal
Tyton Fitting PECB +
Universal Tyton Vi Joint



Kit ALPINAL Universal
Tyton Fitting PECB +
Universal Tyton Ve Joint

The information on this sketch is, to the best of our knowledge correct at the time of printing. However Saint-Gobain are constantly looking at ways of improving their products and services therefore reserve the right to change without prior notice, any of the data shown. Any orders placed will be subject to our Standard Conditions of Sale, available on request.