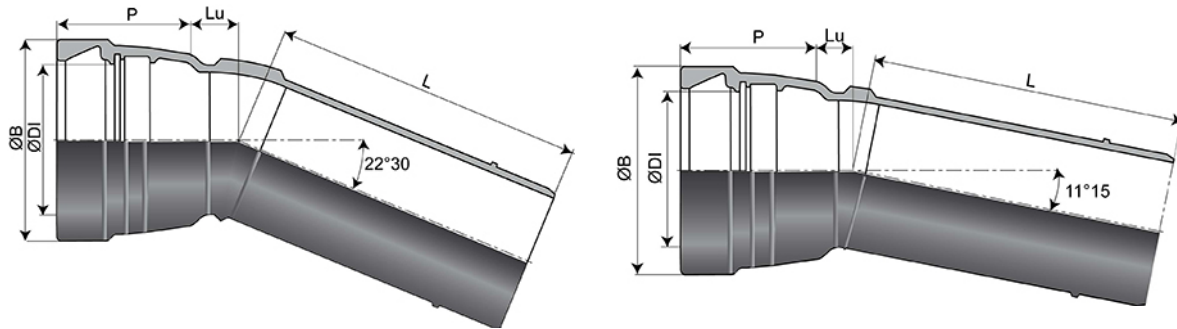


**Bend ALPINAL with 1 socket UNIVERSAL TYTON and 1 spigot-end +
Weld bead Ve**



Angle	DN	Lu	L	P	Ø DI	Ø B	Mass	References
11°15	150 mm	39.3 mm	345 mm	145.8 mm	172.5 mm	230 mm	20.20 kg	AFB15DE0V
22°30	250 mm	77.1 mm	370 mm	165.1 mm	276.5 mm	366.2 mm	60.30 kg	AFB25DDAV

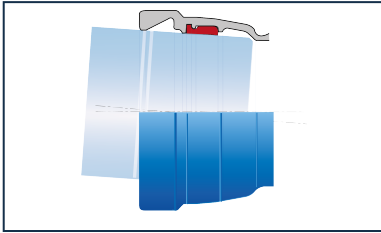
Field of use:

- For connecting and water supply of snow guns
- Working networks under very high pressures

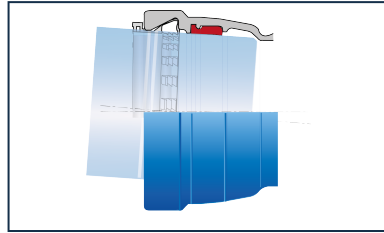
Main characteristics:

- Internal lining: cement mortar
- External coating: bituminous paint
- Thickness of ductile iron adapted to the pressure
- Elastomer of quality EPDM
- Class : pressure class according to EN 545 and ISO 2531

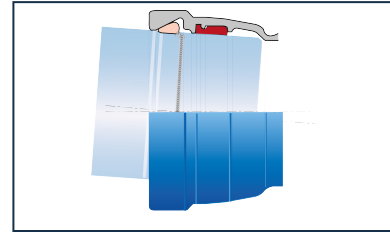
Linked products



Kit ALPINAL Universal
Tyton Fitting PCB +
Universal Tyton Joint



Kit ALPINAL Universal
Tyton Fitting PCB +
Universal Tyton Vi Joint



Kit ALPINAL Universal
Tyton Fitting PCB +
Universal Tyton Ve Joint

The information on this sketch is, to the best of our knowledge correct at the time of printing. However Saint-Gobain are constantly looking at ways of improving their products and services therefore reserve the right to change without prior notice, any of the data shown. Any orders placed will be subject to our Standard Conditions of Sale, available on request.