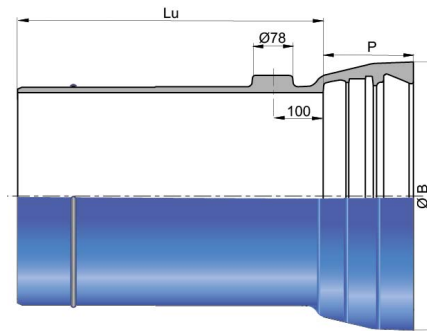


**Socket Spigot piece ALPINAL with 1 socket UNIVERSAL TYTON/  
STANDARD and 1 spigot-end + threaded Gaz + Weld bead Ve**



DN (mm)	Lu (mm)	P (mm)	ØB (mm)	Mass (kg)	References
250	573.5	165.1	366.2	80.00	AKB25EV9QTT
400	600	176	521	134.00	AFB40EVOQTT

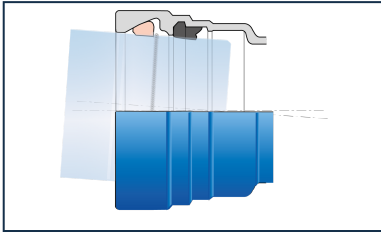
**Field of use:**

- For connecting and water supply of snow guns
- Working networks under very high pressures

**Main characteristics:**

- External and internal coating : Blue epoxy powder 250 microns average thickness with a minimum of 200 microns, conforming to EN 14901-1 (PECB)
- Thickness of ductile iron adapted to the pressure
- Elastomer of quality EPDM
- Class : pressure class according to EN 545 and ISO 2531

## Linked products



Kit ALPINAL Universal  
Standard Fitting PECB +  
Universal Standard Ve  
Joint

*The information on this sketch is, to the best of our knowledge correct at the time of printing. However Saint-Gobain are constantly looking at ways of improving their products and services therefore reserve the right to change without prior notice, any of the data shown. Any orders placed will be subject to our Standard Conditions of Sale, available on request.*