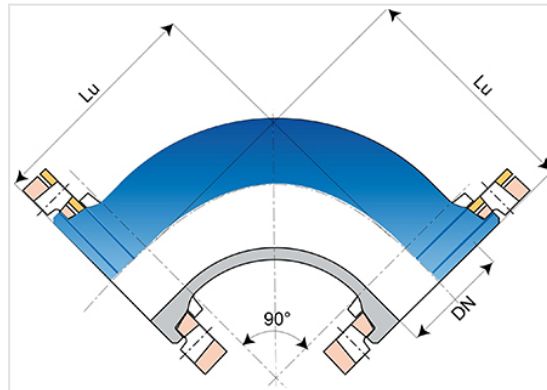


Bend 90° (1/4) (PECB) with 2 Rotatable Flanges



Angle	DN (mm)	Lu (mm)	PN 10		PN 16		PN 25		PN 40	
			Mass (kg)	References	Mass (kg)	References	Mass (kg)	References	Mass (kg)	References
90°	40	140	6.30	BAA40CA10TT	6.30	BAA40CA10TT	6.30	BAA40CA10TT	6.30	BAA40CA10TT
90°	50	150	7.30	BAA50CA10TT	7.30	BAA50CA10TT	7.30	BAA50CA10TT	7.30	BAA50CA10TT
90°	60	160	8.50	BAA60CA10TT	8.50	BAA60CA10TT	7.80	BAA60CA30TT	7.80	BAA60CA30TT
90°	65	160	9.60	BAA65CA10TT	9.60	BAA65CA10TT				
90°	80	165	11.20	BAA80CA10TT	11.20	BAA80CA10TT	11.20	BAA80CA10TT	11.20	BAA80CA10TT
90°	100	180	13.00	BAB10CA10TT	13.00	BAB10CA10TT	14.00	BAB10CA30TT	14.00	BAB10CA30TT
90°	125	200	17.60	BAB12CA10TT	17.60	BAB12CA10TT	21.40	BAB12CA30TT	21.40	BAB12CA30TT
90°	150	220	23.00	BAB15CA10TT	23.00	BAB15CA10TT	25.00	BAB15CA30TT	25.00	BAB15CA30TT
90°	200	260	37.50	BAB20CA10TT	37.50	BAB20CA20TT	40.50	BAB20CA30TT	43.50	BAB20CA40TT
90°	250	327.5	49.30	BAB25CA10TT2	49.30	BAB25CA20TT2	54.50	BAB25CA30TT2		
90°	300	376	69.70	BAB30CA10TT2	68.70	BAB30CA20TT2	76.30	BAB30CA30TT2		
90°	350	424.5	94.08	BAB35CA10TT2	96.39	BAB35CA20TT2	108.15	BAB35CA30TT2		
90°	400	473	119.91	BAB40CA10TT2	129.36	BAB40CA20TT2	148.26	BAB40CA30TT2		
90°	500	570	190.05	BAB50CA10TT2	217.35	BAB50CA20TT2	230.00	BAB50CA30TT2		
90°	600	700	359.00	BAB60CA10TT	409.00	BAB60CA20TT	415.00	BAB60CA30TT		

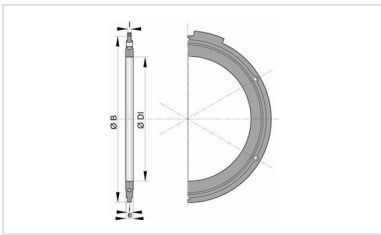
Field of use:

- For drinking water networks

Main characteristics:

- External and internal coating : Blue epoxy powder 250 microns average thickness with a minimum of 200 microns, conforming to EN 14901 (PECB)
- In conformity with EN 545:2010 and ISO 2531:2009

Linked products



Flanged joint with hot
galvanized steel bolts, nuts
and washers

The information on this sketch is, to the best of our knowledge correct at the time of printing. However Saint-Gobain are constantly looking at ways of improving their products and services therefore reserve the right to change without prior notice, any of the data shown. Any orders placed will be subject to our Standard Conditions of Sale, available on request.