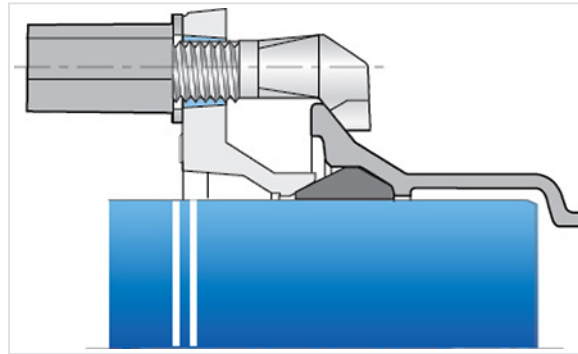


Kit Express Fittings AQB + Express Gasket



Express Double Socket Bend

| DN | Angle | Weight of Kit | References |
|-----|-------|---------------|------------------|
| 60 | 11°15 | 11.76 kg | NEA60CE00NN2-S00 |
| 60 | 22°30 | 11.66 kg | NEA60CD00NN2-S00 |
| 60 | 45° | 12.76 kg | NEA60CB00NN2-S00 |
| 60 | 90° | 12.46 kg | NEA60CA00NN2-S00 |
| 80 | 90° | 14.86 kg | NEA80CA00NN2-S00 |
| 80 | 45° | 14.26 kg | NEA80CB00NN2-S00 |
| 80 | 22°30 | 13.56 kg | NEA80CD00NN2-S00 |
| 80 | 11°15 | 13.76 kg | NEA80CE00NN2-S00 |
| 100 | 90° | 13.64 kg | NEB10CA00NN2-S00 |
| 100 | 45° | 12.84 kg | NEB10CB00NN2-S00 |
| 100 | 22°30 | 12.24 kg | NEB10CD00NN2-S00 |
| 125 | 90° | 20.12 kg | NEB12CA00NN2-S00 |
| 125 | 45° | 18.72 kg | NEB12CB00NN2-S00 |
| 125 | 22°30 | 17.92 kg | NEB12CD00NN2-S00 |
| 125 | 11°15 | 17.72 kg | NEB12CE00NN2-S00 |
| 150 | 90° | 20.98 kg | NEB15CA00NN2-S00 |
| 150 | 45° | 18.98 kg | NEB15CB00NN2-S00 |
| 150 | 22°30 | 17.88 kg | NEB15CD00NN2-S00 |
| 150 | 11°15 | 17.48 kg | NEB15CE00NN2-S00 |
| 200 | 90° | 33.1 kg | NEB20CA00NN2-E00 |
| 200 | 45° | 28.9 kg | NEB20CB00NN2-E00 |

| DN | Angle | Weight of Kit | References |
|-----|-------|---------------|------------------|
| 200 | 22°30 | 26.8 kg | NEB20CD00NN2-E00 |
| 200 | 11°15 | 25.9 kg | NEB20CE00NN2-E00 |
| 250 | 90° | 51.08 kg | NEB25CA00NN2-E00 |
| 250 | 45° | 43.48 kg | NEB25CB00NN2-E00 |
| 250 | 22°30 | 39.58 kg | NEB25CD00NN2-E00 |
| 250 | 11°15 | 38.38 kg | NEB25CE00NN2-E00 |
| 300 | 90° | 65.86 kg | NEB30CA00NN2-E00 |
| 300 | 45° | 57.76 kg | NEB30CB00NN2-E00 |
| 300 | 22°30 | 50.76 kg | NEB30CD00NN2-E00 |
| 300 | 11°15 | 48.76 kg | NEB30CE00NN2-E00 |

Express Collar

| DN | Weight of Kit | References |
|-----|---------------|------------------|
| 60 | 12.96 kg | NEA60MN00NN2-S00 |
| 80 | 14.96 kg | NEA80MN00NN2-S00 |
| 100 | 13.94 kg | NEB10MN00NN2-S00 |
| 125 | 19.82 kg | NEB12MN00NN2-S00 |
| 150 | 19.88 kg | NEB15MN00NN2-S00 |
| 200 | 28.8 kg | NEB20MN00NN2-E00 |
| 250 | 41.88 kg | NEB25MN00NN2-E00 |
| 300 | 52.36 kg | NEB30MN00NN2-E00 |

Express Taper

| DN | Ø dn | Weight of Kit | References |
|-----|------|---------------|------------------|
| 100 | 60 | 14.15 kg | NEB10VE0CNN2-S00 |
| 100 | 80 | 14.18 kg | NEB10VE0ENN2-S00 |
| 150 | 100 | 20.76 kg | NEB15VE0FNN2-S00 |
| 200 | 100 | 28.87 kg | NEB20VE0FNN2-E00 |
| 200 | 150 | 29.89 kg | NEB20VE0JNN2-E00 |
| 250 | 125 | 36.25 kg | NEB25VE0GNN2-E00 |
| 250 | 150 | 34.83 kg | NEB25VE0JNN2-E00 |
| 250 | 200 | 36.24 kg | NEB25VE0KNN2-E00 |
| 300 | 150 | 50.92 kg | NEB30VE0JNN2-E00 |
| 300 | 200 | 51.03 kg | NEB30VE0KNN2-E00 |
| 300 | 250 | 49.47 kg | NEB30VE0LNN2-E00 |

Express Double Socket Tee with flanged branch

| DN | Ø dn | PN | Weight of Kit | References |
|-----|------|-------------|---------------|------------------|
| 60 | 40 | 10 16 25 40 | 15.06 kg | NEA60UD1ANN2-S00 |
| 60 | 60 | 10 16 | 15.93 kg | NEA60UD1CNN2-S00 |
| 60 | 60 | 25 40 | 15.96 kg | NEA60UD3CNN2-S00 |
| 60 | 65 | 10 16 | 16.52 kg | NEA60UD1DNN2-S00 |
| 60 | 65 | 25 40 | 16.96 kg | NEA60UD3DNN2-S00 |
| 80 | 40 | 10 16 25 40 | 16.96 kg | NEA80UD1ANN2-S00 |
| 80 | 60 | 10 16 | 17.43 kg | NEA80UD1CNN2-S00 |
| 80 | 60 | 25 40 | 17.46 kg | NEA80UD3CNN2-S00 |
| 80 | 65 | 10 16 | 18.02 kg | NEA80UD1DNN2-S00 |
| 80 | 65 | 25 40 | 18.46 kg | NEA80UD3DNN2-S00 |
| 80 | 80 | 10 16 25 40 | 19.43 kg | NEA80UD1ENN2-S00 |
| 100 | 40 | 10 16 25 40 | 19.54 kg | NEB10UD1ANN2-S00 |
| 100 | 60 | 10 16 | 20.61 kg | NEB10UD1CNN2-S00 |
| 100 | 60 | 25 40 | 20.64 kg | NEB10UD3CNN2-S00 |
| 100 | 65 | 10 16 | 21.2 kg | NEB10UD1DNN2-S00 |
| 100 | 65 | 25 40 | 21.64 kg | NEB10UD3DNN2-S00 |
| 100 | 80 | 10 16 25 40 | 22.21 kg | NEB10UD1ENN2-S00 |
| 100 | 100 | 10 16 | 23.44 kg | NEB10UD1FNN2-S00 |
| 100 | 100 | 25 40 | 24.64 kg | NEB10UD3FNN2-S00 |
| 125 | 40 | 10 16 25 40 | 26.42 kg | NEB12UD1ANN2-S00 |
| 125 | 60 | 10 16 | 27.69 kg | NEB12UD1CNN2-S00 |
| 125 | 60 | 25 40 | 27.72 kg | NEB12UD3CNN2-S00 |
| 125 | 65 | 10 16 | 28.28 kg | NEB12UD1DNN2-S00 |
| 125 | 65 | 25 40 | 28.72 kg | NEB12UD3DNN2-S00 |
| 125 | 80 | 10 16 25 40 | 29.39 kg | NEB12UD1ENN2-S00 |
| 125 | 100 | 10 16 | 30.72 kg | NEB12UD1FNN2-S00 |
| 125 | 100 | 25 40 | 31.92 kg | NEB12UD3FNN2-S00 |
| 125 | 125 | 10 16 | 33.25 kg | NEB12UD1GNN2-S00 |
| 125 | 125 | 25 40 | 34.92 kg | NEB12UD3GNN2-S00 |
| 150 | 40 | 10 16 25 40 | 27.88 kg | NEB15UD1ANN2-S00 |
| 150 | 60 | 10 16 | 29.25 kg | NEB15UD1CNN2-S00 |
| 150 | 60 | 25 40 | 29.28 kg | NEB15UD3CNN2-S00 |
| 150 | 65 | 10 16 | 29.84 kg | NEB15UD1DNN2-S00 |

| DN | Ø dn | PN | Weight of Kit | References |
|-----|------|-------------|---------------|------------------|
| 150 | 65 | 25 40 | 30.28 kg | NEB15UD3DNN2-S00 |
| 150 | 80 | 10 16 25 40 | 31.15 kg | NEB15UD1ENN2-S00 |
| 150 | 100 | 10 16 | 32.68 kg | NEB15UD1FNN2-S00 |
| 150 | 100 | 25 40 | 33.88 kg | NEB15UD3FNN2-S00 |
| 150 | 125 | 10 16 | 35.31 kg | NEB15UD1GNN2-S00 |
| 150 | 150 | 10 16 | 38.04 kg | NEB15UD1JNN2-S00 |
| 150 | 150 | 25 40 | 40.08 kg | NEB15UD3JNN2-S00 |
| 200 | 40 | 10 16 25 40 | 39.4 kg | NEB20UD1ANN2-E00 |
| 200 | 60 | 10 16 | 41.17 kg | NEB20UD1CNN2-E00 |
| 200 | 60 | 25 40 | 41.2 kg | NEB20UD3CNN2-E00 |
| 200 | 65 | 10 16 | 41.76 kg | NEB20UD1DNN2-E00 |
| 200 | 65 | 25 40 | 42.2 kg | NEB20UD3DNN2-E00 |
| 200 | 80 | 10 16 25 40 | 43.47 kg | NEB20UD1ENN2-E00 |
| 200 | 100 | 10 16 | 43.6 kg | NEB20UD1FNN2-E00 |
| 200 | 100 | 25 40 | 44.8 kg | NEB20UD3FNN2-E00 |
| 200 | 125 | 10 16 | 48.33 kg | NEB20UD1GNN2-E00 |
| 200 | 125 | 25 40 | 39.6 kg | NEB20UD3GNN2-E00 |
| 200 | 150 | 10 16 | 51.46 kg | NEB20UD1JNN2-E00 |
| 200 | 150 | 25 40 | 53.5 kg | NEB20UD3JNN2-E00 |
| 200 | 200 | 10 | 59.7 kg | NEB20UD1KNN2-E00 |
| 200 | 200 | 16 | 59.6 kg | NEB20UD2KNN2-E00 |
| 200 | 200 | 25 | 61.1 kg | NEB20UD3KNN2-E00 |
| 250 | 60 | 10 16 | 45.48 kg | NEB25UD1CNN2-E00 |
| 250 | 60 | 25 | 45.08 kg | NEB25UD3CNN2-E00 |
| 250 | 65 | 10 16 | 45.64 kg | NEB25UD1DNN2-E00 |
| 250 | 65 | 25 40 | 57.38 kg | NEB25UD3DNN2-E00 |
| 250 | 80 | 10 16 25 40 | 45.38 kg | NEB25UD1ENN2-E00 |
| 250 | 100 | 10 16 | 47.08 kg | NEB25UV1FNN2-E00 |
| 250 | 100 | 25 40 | 48.28 kg | NEB25UV3FNN2-E00 |
| 250 | 150 | 10 16 | 56.98 kg | NEB25UD1JNN2-E00 |
| 250 | 150 | 25 40 | 58.98 kg | NEB25UD3JNN2-E00 |
| 250 | 200 | 10 | 64.98 kg | NEB25UD1KNN2-E00 |
| 250 | 200 | 16 | 65.18 kg | NEB25UD2KNN2-E00 |
| 250 | 200 | 25 | 66.48 kg | NEB25UD3KNN2-E00 |

| DN | Ø dn | PN | Weight of Kit | References |
|-----|------|-------------|---------------|------------------|
| 250 | 250 | 10 | 73.78 kg | NEB25UD1LNN2-E00 |
| 250 | 250 | 16 | 73.78 kg | NEB25UD2LNN2-E00 |
| 250 | 250 | 25 | 76.48 kg | NEB25UD3LNN2-E00 |
| 300 | 60 | 10 16 | 63.26 kg | NEB30UD1CNN2-E00 |
| 300 | 60 | 25 40 | 62.86 kg | NEB30UD3CNN2-E00 |
| 300 | 65 | 10 16 | 79.12 kg | NEB30UD1DNN2-E00 |
| 300 | 80 | 10 16 25 40 | 63.06 kg | NEB30UD1ENN2-E00 |
| 300 | 100 | 10 16 | 58.15 kg | NEB30UV1FNN2-E00 |
| 300 | 100 | 25 40 | 59.35 kg | NEB30UV3FNN2-E00 |
| 300 | 150 | 10 16 | 71.36 kg | NEB30UD1JNN2-E00 |
| 300 | 150 | 25 40 | 73.36 kg | NEB30UD3JNN2-E00 |
| 300 | 200 | 10 | 80.86 kg | NEB30UD1KNN2-E00 |
| 300 | 200 | 16 | 81.06 kg | NEB30UD2KNN2-E00 |
| 300 | 200 | 25 | 82.36 kg | NEB30UD3KNN2-E00 |
| 300 | 250 | 10 | 90.46 kg | NEB30UD1LNN2-E00 |
| 300 | 250 | 16 | 90.46 kg | NEB30UD2LNN2-E00 |
| 300 | 250 | 25 | 93.16 kg | NEB30UD3LNN2-E00 |
| 300 | 300 | 10 | 101.66 kg | NEB30UD1MNN2-E00 |
| 300 | 300 | 16 | 101.16 kg | NEB30UD2MNN2-E00 |
| 300 | 300 | 25 | 104.76 kg | NEB30UD3MNN2-E00 |

Express Flanged Socket

| DN | PN | Weight of Kit | References |
|-----|-------------|---------------|------------------|
| 60 | 10 16 | 8.7 kg | NEA60BE10NN2-S00 |
| 60 | 25 40 | 8.73 kg | NEA60BE30NN2-S00 |
| 65 | 10 16 | 9.29 kg | NEA65BE10NN2-S00 |
| 65 | 25 40 | 9.73 kg | NEA65BE30NN2-S00 |
| 80 | 10 16 25 40 | 10.45 kg | NEA80BE10NN2-S00 |
| 100 | 10 16 | 9.87 kg | NEB10BE10NN2-S00 |
| 100 | 25 40 | 11.07 kg | NEB10BE30NN2-S00 |
| 125 | 10 16 | 13.99 kg | NEB12BE10NN2-S00 |
| 125 | 25 40 | 15.66 kg | NEB12BE30NN2-S00 |
| 150 | 10 16 | 15.03 kg | NEB15BE10NN2-S00 |
| 150 | 25 40 | 17.07 kg | NEB15BE30NN2-S00 |
| 200 | 10 | 23.4 kg | NEB20BE10NN2-E00 |

| DN | PN | Weight of Kit | References |
|-----|----|---------------|------------------|
| 200 | 16 | 23.3 kg | NEB20BE20NN2-E00 |
| 200 | 25 | 24.8 kg | NEB20BE30NN2-E00 |
| 250 | 10 | 34.19 kg | NEB25BE10NN2-E00 |
| 250 | 16 | 33.79 kg | NEB25BE20NN2-E00 |
| 250 | 25 | 36.69 kg | NEB25BE30NN2-E00 |
| 300 | 10 | 43.58 kg | NEB30BE10NN2-E00 |
| 300 | 16 | 42.88 kg | NEB30BE20NN2-E00 |
| 300 | 25 | 46.48 kg | NEB30BE30NN2-E00 |

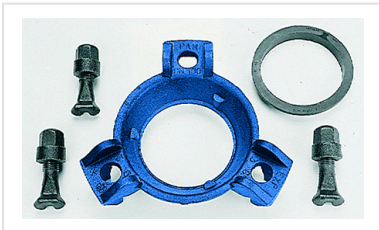
Express All Socket Tee

| DN | Ø dn | Weight of Kit | References |
|-----|------|---------------|------------------|
| 60 | 60 | 18.59 kg | NEA60TE0CNN2-S00 |
| 80 | 80 | 22.24 kg | NEA80TE0ENN2-S00 |
| 100 | 100 | 25.06 kg | NEB10TE0FNN2-S00 |
| 125 | 125 | 49.241 kg | NEB12TE0GNN2-S00 |
| 150 | 60 | 31.51 kg | NEB15TE0CNN2-S00 |
| 150 | 80 | 32.04 kg | NEB15TE0ENN2-S00 |
| 150 | 100 | 34.9 kg | NEB15TE0FNN2-S00 |
| 150 | 150 | 40.72 kg | NEB15TE0JNN2-S00 |
| 200 | 60 | 42.83 kg | NEB20TE0CNN2-E00 |
| 200 | 80 | 44.38 kg | NEB20TE0ENN2-E00 |
| 200 | 100 | 46.72 kg | NEB20TE0FNN2-E00 |
| 200 | 150 | 53.04 kg | NEB20TE0JNN2-E00 |
| 200 | 200 | 63.45 kg | NEB20TE0KNN2-E00 |

| DN | PFA |
|-----|-----|
| mm | bar |
| 60 | 40 |
| 80 | 40 |
| 100 | 40 |
| 125 | 40 |
| 150 | 40 |
| 200 | 40 |
| 250 | 40 |
| 300 | 40 |

| DN mm | PFA bar |
|----------|------------|
| 350 | 25 |
| 400 | 25 |
| 450 | 25 |
| 500 | 25 |
| 600 | 25 |
| 700 | 25 |
| 800 | 25 |
| 900 | 25 |
| 1000 | 25 |
| 1100 | 25 |
| 1200 | 25 |

Linked products



Kit Express Joint for
Express Fittings DN200 to
1200



Kit Express New Joint for
Express Fittings DN60-150

The information on this sketch is, to the best of our knowledge correct at the time of printing. However Saint-Gobain are constantly looking at ways of improving their products and services therefore reserve the right to change without prior notice, any of the data shown. Any orders placed will be subject to our Standard Conditions of Sale, available on request.