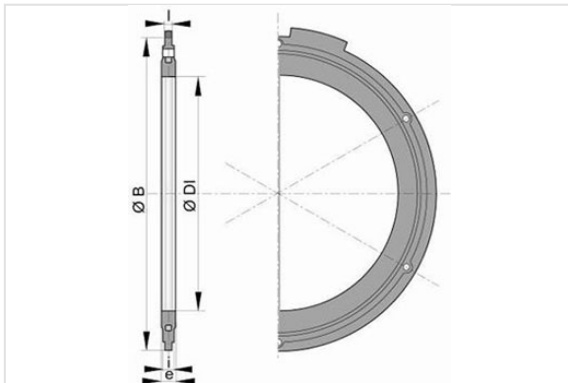
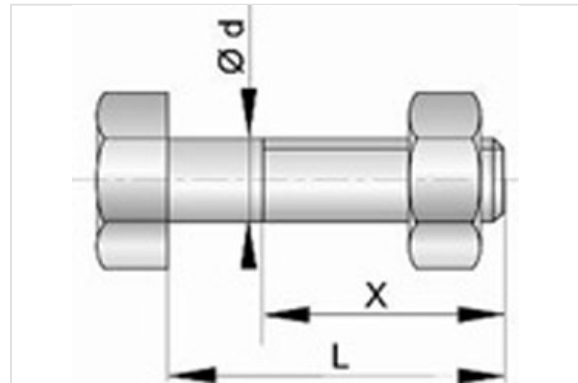


## Flanged joint with hot galvanized steel bolts, nuts and washers

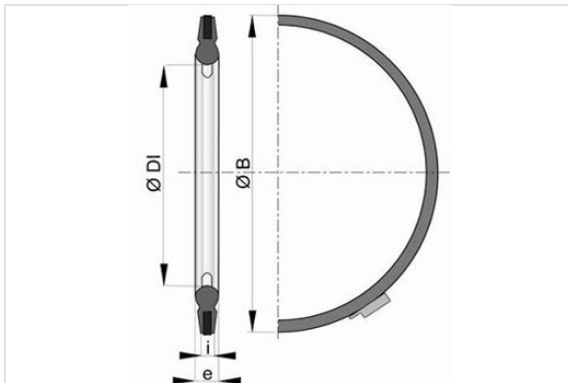
Gasket DN40 to DN300



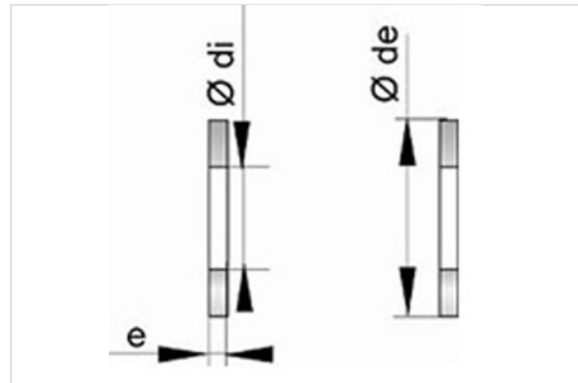
Bolt



Gasket with metallic inserts DN350 to 2000



Washers

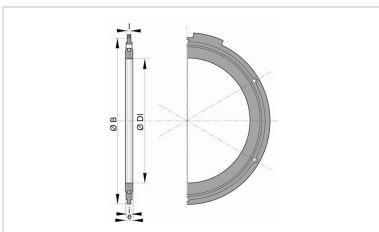


The flanged joint assembly has a gasket with metallic inserts, hot galvanised steel bolts (thickness mini 70 microns), nuts and washers.

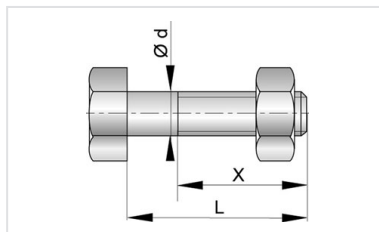
DN (mm)	PN 10 References	PN 16 References	PN 25 References	PN 40 References
40	JBA40GV1-E06	JBA40GV1-E06	JBA40GV1-E06	JBA40GV1-E06
50	JBA50GV1-E06	JBA50GV1-E06	JBA50GV1-E06	JBA50GV1-E06
60	JBA60GV1-E06	JBA60GV1-E06	JBA60GV1-E08	JBA60GV1-E08
65	JBA65GV1-E06	JBA65GV1-E06	JBA65GV1-E08	JBA65GV1-E08
80	JBA80GV1-E06	JBA80GV1-E06	JBA80GV1-E06	JBA80GV1-E06
100	JBB10GV1-E06	JBB10GV1-E06	JBB10GV1-E08	JBB10GV1-E08

DN (mm)	PN 10 References	PN 16 References	PN 25 References	PN 40 References
125	JBB12GV1-E06	JBB12GV1-E06	JBB12GV1-E08	JBB12GV1-E08
150	JBB15GV1-E06	JBB15GV1-E06	JBB15GV1-E08	JBB15GV1-E08
200	JBB20GV1-E06	JBB20GV1-E07	JBB20GV1-E08	
250	JBB25GV1-E06	JBB25GV1-E07	JBB25GV1-E08	
300	JBB30GV1-E06	JBB30GV1-E07	JBB30GV1-E08	
350	JBB35GV1B-E06	JBB35GV1B-E07	JBB35GV1B-E08	
400	JBB40GV1B-E06	JBB40GV1B-E07	JBB40GV1B-E08	
450	JBB45GV1B-E06	JBB45GV1B-E07	JBB45GV1B-E08	
500	JBB50GV1B-E06	JBB50GV1B-E07	JBB50GV1B-E08	
600	JBB60GV1B-E06	JBB60GV1B-E07	JBB60GV1B-E08	
700	JBB70GV1-E06	JBB70GV1-E07	JBB70GV1-E08	
800	JBB80GV1-E06	JBB80GV1-E07	JBB80GV1-E08	
900	JBB90GV1-E06	JBB90GV1-E07	JBB90GV1-E08	
1000	JBC10GV1-E06	JBC10GV1-E07	JBC10GV1-E08	
1100	JBC11GV1-E06	JBC11GV1-E07	JBC11GV1-E08	
1200	JBC12GV1-E06	JBC12GV1-E07	JBC12GV1-E08	
1400	JBC14GV1-E06	JBC14GV1-E07	JBC14GV1-E08	
1500	JBC15GV1-E06	JBC15GV1-E07	JBC15GV1-E08	
1600	JBC16GV1-E06	JBC16GV1-E07	JBC16GV1-E08	
1800	JBC18GV1-E06	JBC18GV1-E07		
2000	JBC20GV1-E06	JBC20GV1-E07		

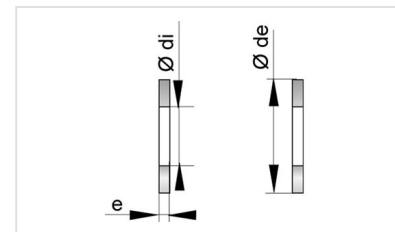
## Linked products



Flanged Gasket DN40-2000



Hot Galvanized Steel Bolt  
for Flanged Joint



Galvanized Steel Washers  
for Bolts

*The information on this sketch is, to the best of our knowledge correct at the time of printing. However Saint-Gobain are constantly looking at ways of improving their products and services therefore reserve the right to change without prior notice, any of the data shown. Any orders placed will be subject to our Standard Conditions of Sale, available on request.*