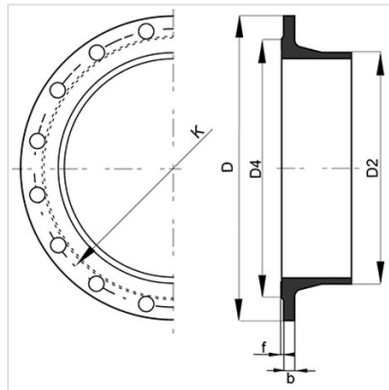


Fixed Flange for Pipes and Fittings with Fixed Flanges



Dimensions of Fixed Flange for Pipes and Fittings with Fixed Flanges

PN10

DN	D	D2	D4	K	b	f
mm	mm	mm	mm	mm	mm	mm
80	200	98	132	160	16.0	3
100	220	118	156	180	16.0	3
125	250	144	184	210	16.0	3
150	285	170	211	240	16.0	3
200	340	222	266	295	17.0	3
250	400	274	319	350	19.0	3
300	455	326	370	400	20.5	4
350	505	378	429	460	20.5	4
400	565	429	480	515	20.5	4
450	615	480	530	565	21.5	4
500	670	532	582	620	22.5	4
600	780	635	682	725	26.0	4
700	895	738	794	840	27.5	5
800	1015	842	901	950	30.0	5
900	1115	945	1001	1050	32.5	5
1000	1230	1048	1112	1160	35.0	5
1100	1340	1152	1218	1270	37.5	5
1200	1455	1255	1328	1380	40.0	5

DN mm	D mm	D2 mm	D4 mm	K mm	b mm	f mm
1400	1675	1462	1530	1590	41.0	5
1500	1785	1565	1640	1700	42.5	5
1600	1915	1668	1750	1820	44.0	5
1800	2115	1875	1950	2020	47.0	5
2000	2325	2082	2150	2230	50.0	5

PN16

DN mm	D mm	D2 mm	D4 mm	K mm	b mm	f mm
80	200	98	132	160	16.0	3
100	220	118	156	180	16.0	3
125	250	144	184	210	16.0	3
150	285	170	211	240	16.0	3
200	340	222	266	295	17.0	3
250	400	274	319	350	19.0	3
300	455	326	370	400	20.5	4
350	520	378	429	460	22.5	4
400	580	429	480	515	24.0	4
450	640	480	530	565	26.0	4
500	715	532	582	620	27.5	4
600	840	635	682	725	32.0	4
700	910	738	794	840	34.5	5
800	1025	842	901	950	38.0	5
900	1125	945	1001	1050	41.5	5
1000	1255	1048	1112	1160	45.0	5
1100	1355	1152	1218	1270	48.5	5
1200	1485	1255	1328	1380	52.0	5
1400	1685	1462	1530	1590	55.0	5
1500	1820	1565	1640	1700	57.5	5
1600	1930	1668	1750	1820	60.0	5
1800	2130	1875	1950	2020	65.0	5
2000	2345	2082	2150	2230	70.0	5

PN25

DN mm	D mm	D2 mm	D4 mm	K mm	b mm	f mm
80	200	98	132	160	16.0	3
100	235	118	156	190	16.0	3
125	270	144	184	220	16.0	3
150	300	170	211	250	17.0	3
200	360	222	274	310	19.0	3
250	425	274	330	370	21.5	3
300	485	326	389	430	23.5	4
350	555	378	448	490	26.0	4
400	620	429	503	550	28.0	4
450	670	480	548	600	30.5	4
500	730	532	609	660	32.5	4
600	845	635	720	770	38.0	4
700	960	738	820	875	41.5	5
800	1085	842	928	990	46.0	5
900	1185	945	1028	1090	50.5	5
1000	1320	1048	1140	1210	55.0	5
1100	1420	1152	1240	1310	59.5	5
1200	1530	1255	1350	1420	64.0	5
1400	1755	1462	1560	1640	69.0	5
1500	1865	1565	1678	1750	72.5	5
1600	1975	1668	1780	1860	76.0	5
1800	2195	1875	1985	2070	83.0	5
2000	2425	2082	2210	2300	90.0	5

PN40

DN mm	D mm	D2 mm	D4 mm	K mm	b mm	f mm
80	200	98	132	160	16.0	3
100	235	118	156	190	16.0	3
125	270	144	184	220	20.5	3
150	300	170	211	250	23.0	3

DN	D	D2	D4	K	b	f
mm	mm	mm	mm	mm	mm	mm
200	375	222	284	320	27.0	3
250	450	274	345	385	31.5	3
300	515	326	409	450	35.5	4
350	580	378	465	510	40.0	4
400	660	429	535	585	44.0	4
450	685	480	560	610	45.0	4
500	755	532	615	670	48.0	4
600	890	635	735	795	54.0	4

PN63

DN	D	D2	D4	K	b	f
mm	mm	mm	mm	mm	mm	mm
80	215	98	132	170	28.0	3
100	250	118	156	200	30.0	3
125	295	144	184	240	34.0	3
150	345	170	211	280	36.0	3
200	415	222	284	345	43.0	3
250	470	274	345	400	47.0	3
300	530	326	409	460	53.0	4
400	670	429	535	585	61.0	4
500	800	532	640	705	75.0	4

PN100

DN	D	D2	D4	K	b	f
mm	mm	mm	mm	mm	mm	mm
80	230	98	138	180	35.0	3
100	265	118	162	210	39.0	3
125	315	144	188	250	41.0	3
150	355	170	218	290	41.0	3
200	430	222	285	360	49.0	3
250	505	274	345	430	57.0	3
300	585	326	410	500	64.0	4

DN	D	D2	D4	K	b	f
mm	mm	mm	mm	mm	mm	mm
400	715	429	535	620	61.0	4

The information on this sketch is, to the best of our knowledge correct at the time of printing. However Saint-Gobain are constantly looking at ways of improving their products and services therefore reserve the right to change without prior notice, any of the data shown. Any orders placed will be subject to our Standard Conditions of Sale, available on request.