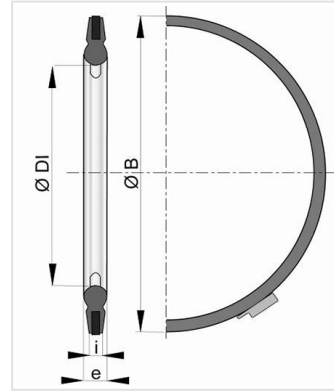
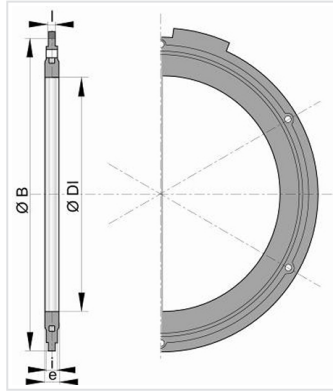


Flanged Gasket DN40-2000



PN	DN (mm)	ØB (mm)	ØDI (mm)	i (mm)	e (mm)	Mass (kg)	References
10 16 25 40	40	94	53	8	10	0.07	JBA40GV1
10 16 25 40	50	109	65	8	10	0.09	JBA50GV1
10 16 25 40	60	120	76	8	10	0.11	JBA60GV1
10 16 25 40	65	128	82	8	10	0.12	JBA65GV1
10 16 25 40	80	144	95	8	10	0.13	JBA80GV1
10 16 25 40	100	165	115	8	10	0.14	JBB10GV1
10 16 25 40	125	195	145	8	10	0.18	JBB12GV1
10 16 25 40	150	221	171	8	10	0.20	JBB15GV1
10 16 25 40	200	276	226	8	10	0.26	JBB20GV1
10 16 25 40	250	331	278	8	10	0.32	JBB25GV1
10 16 25 40	300	380	324	8	10	0.39	JBB30GV1
10 25	350	439	371	9.5	16	1.21	JBB35GV1B
10 25	400	490	422	9.5	16	1.36	JBB40GV1B
10 25	450	540	472	9.5	16	1.51	JBB45GV1B
10 25	500	595	527	9.5	16	1.67	JBB50GV1B
10 25	600	697	621	9.5	16	2.36	JBB60GV1B
10 25	700	806	730	9.5	16	2.04	JBB70GV1
10 25	800	913	827	9.5	16	2.85	JBB80GV1
10 25	900	1013	927	9.5	16	3.16	JBB90GV1
10 25	1000	1126	1040	9.5	16	3.50	JBC10GV1
10 25	1100	1230	1134	9.5	16	4.54	JBC11GV1
10 25	1200	1343	1247	9.5	16	4.95	JBC12GV1

PN	DN (mm)	ØB (mm)	ØDI (mm)	i (mm)	e (mm)	Mass (kg)	References
10 25	1400	1544	1448	9.5	16	5.61	JBC14GV1
10 25	1500	1657	1541	9.5	16	7.99	JBC15GV1
10 25	1600	1767	1651	9.5	16	8.54	JBC16GV1
10 25	1800	1967	1851	9.5	16	11.85	JBC18GV1
10 25	2000	2173	2047	9.5	16	12.00	JBC20GV1

Field of use:

- For drinking water networks

Main characteristics:

- Elastomer quality : EPDM (EN 681-1)
- Excellent mechanical behaviour
- Watertightness which requires less torque

The information on this sketch is, to the best of our knowledge correct at the time of printing. However Saint-Gobain are constantly looking at ways of improving their products and services therefore reserve the right to change without prior notice, any of the data shown. Any orders placed will be subject to our Standard Conditions of Sale, available on request.