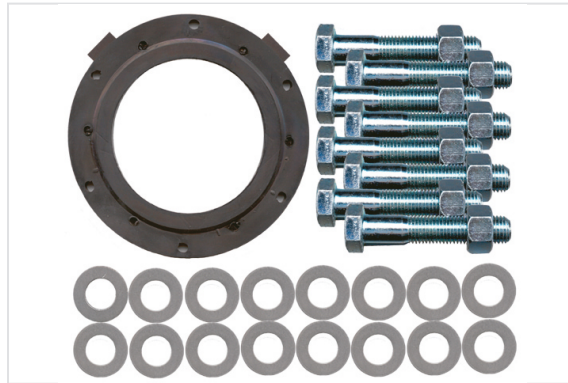


Flanged Joint Kit for flanged Pipes and Fittings



The flanged joint kit has a gasket with metallic inserts, bolts, nuts, and washers corresponding.

DN	PN 10		PN 16	
	Mass (kg)	References	Mass (kg)	References
40	0.85	JBA40KV1	0.85	JBA40KV1
60	0.89	JBA60KV1	0.89	JBA60KV1
80	1.70	JBA80KV1	1.70	JBA80KV1
100	1.73	JBB10KV1	1.73	JBB10KV1
125	1.76	JBB12KV1	1.76	JBB12KV1
150	3.04	JBB15KV1	3.04	JBB15KV1
200	3.10	JBB20KV1	4.52	JBB20KV2
250	4.89	JBB25KV1	7.35	JBB25KV2
300	5.33	JBB30KV1	8.25	JBB30KV2

The information on this sketch is, to the best of our knowledge correct at the time of printing. However Saint-Gobain are constantly looking at ways of improving their products and services therefore reserve the right to change without prior notice, any of the data shown. Any orders placed will be subject to our Standard Conditions of Sale, available on request.