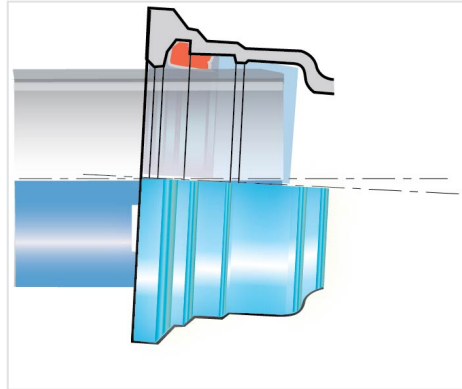


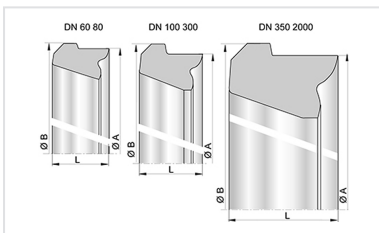
Kit Standard Flanged Socket AQB + Standard Gasket



DN	PN	Weight of Kit	References
60	10 16	5.58 kg	NSA60BE10NN2-E00
60	25 40	5.61 kg	NSA60BE30NN2-E00
80	10 16 25 40	6.82 kg	NSA80BE10NN2-E00
100	10 16	8.2 kg	NSB10BE10NN2-E00
100	25 40	9.4 kg	NSB10BE30NN2-E00
125	10 16	10.47 kg	NSB12BE10NN2-E00
125	25 40	12.14 kg	NSB12BE30NN2-E00
150	10 16	13.05 kg	NSB15BE10NN2-E00
150	25 40	15.63 kg	NSB15BE30NN2-E00
200	10	20.78 kg	NSB20BE10NN2-E00
200	16	20.68 kg	NSB20BE20NN2-E00
200	25	22.18 kg	NSB20BE30NN2-E00
250	10	31.8 kg	NSB25BE10NN2-E00
250	16	31.4 kg	NSB25BE20NN2-E00
250	25	34.3 kg	NSB25BE30NN2-E00
300	10	43.01 kg	NSB30BE10NN2-E00
300	16	42.31 kg	NSB30BE20NN2-E00
300	25	45.91 kg	NSB30BE30NN2-E00

DN mm	Class	PFA bar
60	C40	40
80	C40	40
100	C40	40
125	C40	40
150	C40	40
200	C40	40
250	C40	40
300	C40	40

Linked products



Standard gasket for Pipes and Fittings DN60-2000

The information on this sketch is, to the best of our knowledge correct at the time of printing. However Saint-Gobain are constantly looking at ways of improving their products and services therefore reserve the right to change without prior notice, any of the data shown. Any orders placed will be subject to our Standard Conditions of Sale, available on request.