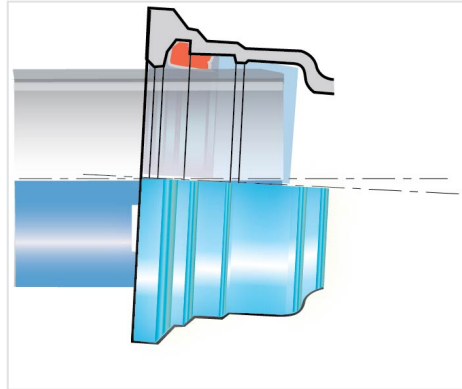


Kit Standard Taper PECB + Standard Gasket

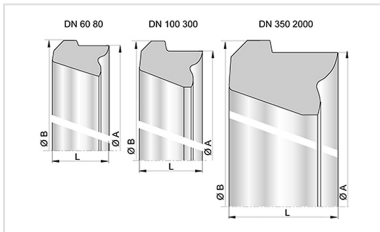


DN	Ø dn	Weight of Kit	References
100	80	7.85 kg	SSB10VE0ETT-E00
150	60	11.6 kg	SSB15VE0CTT-E00
150	100	11.59 kg	SSB15VE0FTT-E00
200	100	17.88 kg	SSB20VE0FTT-E00
200	150	17.37 kg	SSB20VE0JTT-E00
250	125	24.14 kg	SSB25VE0GTT2-E00
250	150	23.99 kg	SSB25VE0JTT2-E00
250	200	23.08 kg	SSB25VE0KTT2-E00
300	250	31.71 kg	SSB30VE0LTT2-E00
350	200	43.28 kg	SSB35VE0KTT2-E00
350	250	42.67 kg	SSB35VE0LTT2-E00
350	300	42.41 kg	SSB35VE0MTT2-E00
400	250	66.58 kg	SSB40VE0LTT-E00
400	300	51.77 kg	SSB40VE0MTT2-E00
400	350	70.98 kg	SSB40VE0YTT-E00
450	300	69.13 kg	SSB45VE0MTT2-E00
450	400	71.6 kg	SSB45VE0NTT-E00
500	400	77.49 kg	SSB50VE0NTT2-E00
600	400	158.24 kg	SSB60VE0NTT-E00
600	500	109.12 kg	SSB60VE0QTT2-E00
700	500	202.41 kg	SSB70VE0QTT-E00
800	600	260.83 kg	SSB80VE0RTT-E00

DN	Ø dn	Weight of Kit	References
800	700	249.54 kg	SSB80VE0STT-E00
1000	800	426.26 kg	SSC10VE0TTT-E00

DN mm	Class	PFA bar
60	C40	40
80	C40	40
100	C40	40
125	C40	40
150	C40	40
200	C40	40
250	C40	40
300	C40	40
350	C30	30
400	C30	30
450	C30	30
500	C30	30
600	C30	30
700	C25	25
800	C25	25
900	C25	25
1000	C25	25
1100	C25	25
1200	C25	25
1400	C25	25
1500	C25	25
1600	C25	25
1800	C25	25
2000	C25	25

Linked products



Standard gasket for Pipes and Fittings DN60-2000

The information on this sketch is, to the best of our knowledge correct at the time of printing. However Saint-Gobain are constantly looking at ways of improving their products and services therefore reserve the right to change without prior notice, any of the data shown. Any orders placed will be subject to our Standard Conditions of Sale, available on request.