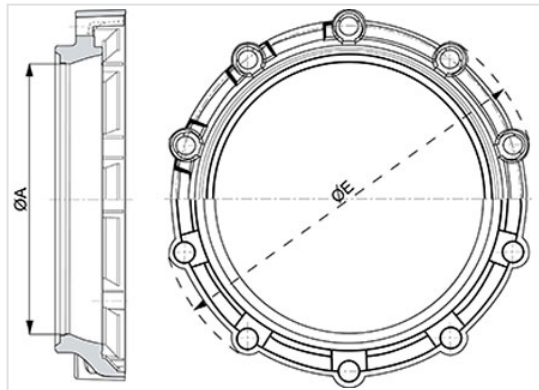


Gland for STD Ve joint DN80-1200



DN (mm)	ØE (mm)	ØA (mm)	Mass (kg)	References
80	233.5	107	3.50	JSA80V
100	254.5	128	4.80	JSB10V
125	285	154	5.90	JSB12V
150	310.5	179	7.50	JSB15V
200	363.5	231	9.50	JSB20V
250	456.5	285.3	21.00	JSB25V
300	516	338.2	28.00	JSB30V
350	570	390.5	30.50	JSB35V
400	618	441	37.70	JSB40V
450	671	493	43.00	JSB45V
500	734	544.5	61.70	JSB50V
600	840	648	63.50	JSB60V
700	958	753	109.00	JSB70V
800	1100	859	140.00	JCB80V
900	1218	960	184.00	JCB90V
1000	1306	1063	211.00	JCC10V
1100	1417.4	1164	232.00	JSC11V
1200	1547	1271	222.00	JSC12V

Field of use:

- For drinking water networks

Main characteristics:

- Inside-Outside coating: black bituminous varnish 70 µm (VBI)
- Elastomer quality: EPDM (EN 681-1)
- Iron bolts
- EN 545
- High angular deflection possible

The information on this sketch is, to the best of our knowledge correct at the time of printing. However Saint-Gobain are constantly looking at ways of improving their products and services therefore reserve the right to change without prior notice, any of the data shown. Any orders placed will be subject to our Standard Conditions of Sale, available on request.