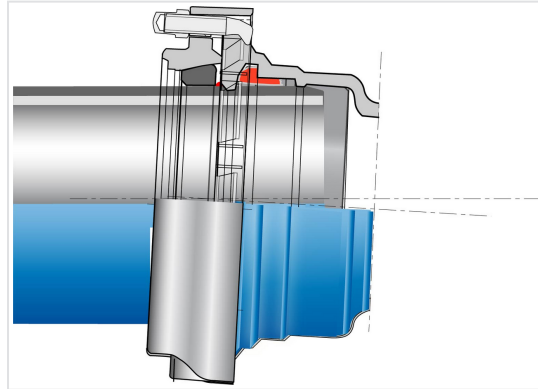


## Kit Standard Fitting PECB + Standard Ve Joint



Standard Double Socket Bends

| Angle | DN  | Weight of Kit | References       |
|-------|-----|---------------|------------------|
| 90°   | 350 | 159.73 kg     | SSB35CA00TT2-E02 |
| 22°30 | 350 | 128.23 kg     | SSB35CD00TT2-E02 |
| 11°15 | 350 | 125.08 kg     | SSB35CE00TT2-E02 |
| 90°   | 400 | 199.07 kg     | SSB40CA00TT2-E02 |
| 45°   | 400 | 174.36 kg     | SSB40CB00TT2-E02 |
| 22°30 | 400 | 160.36 kg     | SSB40CD00TT2-E02 |
| 11°15 | 400 | 153.06 kg     | SSB40CE00TT2-E02 |
| 45°   | 450 | 211.85 kg     | SSB45CB00TT2-E02 |
| 22°30 | 450 | 192.95 kg     | SSB45CD00TT2-E02 |
| 90°   | 500 | 322.14 kg     | SSB50CA00TT2-E02 |
| 45°   | 500 | 291.8 kg      | SSB50CB00TT2-E02 |
| 22°30 | 500 | 263.03 kg     | SSB50CD00TT2-E02 |
| 11°15 | 500 | 241.5 kg      | SSB50CE00TT2-E02 |
| 45°   | 600 | 367.13 kg     | SSB60CB00TT2-E02 |
| 22°30 | 600 | 320.62 kg     | SSB60CD00TT2-E02 |
| 11°15 | 600 | 288.49 kg     | SSB60CE00TT2-E02 |
| 90°   | 700 | 884.94 kg     | SSB70CA00TT-E02  |
| 45°   | 700 | 611.44 kg     | SSB70CB00TT-E02  |
| 22°30 | 700 | 531.54 kg     | SSB70CD00TT-E02  |
| 11°15 | 700 | 497.94 kg     | SSB70CE00TT-E02  |
| 90°   | 800 | 1074.14 kg    | SSB80CA00TT-E02  |

| Angle | DN   | Weight of Kit | References      |
|-------|------|---------------|-----------------|
| 45°   | 800  | 792.24 kg     | SSB80CB00TT-E02 |
| 22°30 | 800  | 681.14 kg     | SSB80CD00TT-E02 |
| 11°15 | 800  | 631.54 kg     | SSB80CE00TT-E02 |
| 90°   | 900  | 1277.22 kg    | SSB90CA00TT-E02 |
| 45°   | 900  | 1022.32 kg    | SSB90CB00TT-E02 |
| 22°30 | 900  | 882.82 kg     | SSB90CD00TT-E02 |
| 11°15 | 900  | 802.82 kg     | SSB90CE00TT-E02 |
| 90°   | 1000 | 1961.98 kg    | SSC10CA00TT-E02 |
| 45°   | 1000 | 1234.28 kg    | SSC10CB00TT-E02 |
| 22°30 | 1000 | 1037.98 kg    | SSC10CD00TT-E02 |
| 11°15 | 1000 | 948.98 kg     | SSC10CE00TT-E02 |

### Standard Double Socket Tapers

| DN   | Ø dn | Weight of Kit | References      |
|------|------|---------------|-----------------|
| 600  | 400  | 297.24 kg     | SSB60VE0NTT-E02 |
| 700  | 500  | 431.05 kg     | SSB70VE0QTT-E02 |
| 700  | 600  | 417.53 kg     | SSB70VE0RTT-E02 |
| 800  | 600  | 535.13 kg     | SSB80VE0RTT-E02 |
| 800  | 700  | 582.54 kg     | SSB80VE0STT-E02 |
| 900  | 700  | 727.08 kg     | SSB90VE0STT-E02 |
| 900  | 800  | 734.68 kg     | SSB90VE0TTT-E02 |
| 1000 | 800  | 871.56 kg     | SSC10VE0TTT-E02 |
| 1000 | 900  | 882.1 kg      | SSC10VE0UTT-E02 |

### Standard Level Invert Tee

| DN   | Ø dn | PN | Weight of Kit | References      |
|------|------|----|---------------|-----------------|
| 700  | 200  | 10 | 606.84 kg     | SSB70UT1KTT-E02 |
| 700  | 200  | 16 | 607.04 kg     | SSB70UT2KTT-E02 |
| 800  | 200  | 10 | 804.14 kg     | SSB80UT1KTT-E02 |
| 800  | 200  | 16 | 804.14 kg     | SSB80UT2KTT-E02 |
| 900  | 200  | 10 | 1019.22 kg    | SSB90UT1KTT-E02 |
| 900  | 200  | 16 | 1019.22 kg    | SSB90UT2KTT-E02 |
| 1000 | 200  | 10 | 1050.98 kg    | SSC10UT1KTT-E02 |
| 1000 | 200  | 16 | 1050.98 kg    | SSC10UT2KTT-E02 |

Standard Double Socket Tee

| DN  | Ø dn | PN          | Weight of Kit | References       |
|-----|------|-------------|---------------|------------------|
| 350 | 60   | 10 16       | 132.05 kg     | SSB35UD1CTT2-E02 |
| 350 | 60   | 25 40       | 132.05 kg     | SSB35UD3CTT2-E02 |
| 350 | 80   | 10 16 25 40 | 133.73 kg     | SSB35UD1ETT2-E02 |
| 350 | 150  | 10 16       | 143.49 kg     | SSB35UD1JTT2-E02 |
| 350 | 150  | 25 40       | 145.59 kg     | SSB35UD3JTT2-E02 |
| 350 | 250  | 10          | 162.14 kg     | SSB35UD1LTT2-E02 |
| 350 | 250  | 16          | 162.14 kg     | SSB35UD2LTT2-E02 |
| 350 | 300  | 10          | 168.44 kg     | SSB35UD1MTT2-E02 |
| 350 | 300  | 16          | 167.94 kg     | SSB35UD2MTT2-E02 |
| 400 | 80   | 10 16 25 40 | 235.16 kg     | SSB40UD1ETT2-E02 |
| 400 | 100  | 10 16       | 168.35 kg     | SSB40UV1FTT2-E02 |
| 400 | 150  | 10 16       | 169.82 kg     | SSB40UD1JTT2-E02 |
| 400 | 200  | 10          | 178.75 kg     | SSB40UD1KTT2-E02 |
| 400 | 200  | 16          | 178.96 kg     | SSB40UD2KTT2-E02 |
| 400 | 250  | 10          | 192.08 kg     | SSB40UD1LTT2-E02 |
| 400 | 250  | 16          | 192.08 kg     | SSB40UD2LTT2-E02 |
| 400 | 250  | 25          | 194.81 kg     | SSB40UD3LTT2-E02 |
| 400 | 300  | 10          | 198.91 kg     | SSB40UD1MTT2-E02 |
| 400 | 300  | 16          | 198.38 kg     | SSB40UD2MTT2-E02 |
| 400 | 400  | 10          | 222.95 kg     | SSB40UD1NTT2-E02 |
| 400 | 400  | 16          | 227.68 kg     | SSB40UD2NTT2-E02 |
| 400 | 400  | 25          | 237.13 kg     | SSB40UD3NTT2-E02 |
| 450 | 100  | 10 16       | 198.27 kg     | SSB45UV1FTT2-E02 |
| 450 | 100  | 25 40       | 199.64 kg     | SSB45UV3FTT2-E02 |
| 450 | 150  | 10 16       | 206.99 kg     | SSB45UD1JTT2-E02 |
| 450 | 150  | 25 40       | 209.09 kg     | SSB45UD3JTT2-E02 |
| 500 | 100  | 10 16       | 252.29 kg     | SSB50UV1FTT2-E02 |
| 500 | 100  | 25 40       | 253.65 kg     | SSB50UV3FTT2-E02 |
| 500 | 500  | 10          | 419.87 kg     | SSB50UD1QTT2-E02 |
| 500 | 500  | 16          | 433.52 kg     | SSB50UD2QTT2-E02 |
| 600 | 100  | 10 16       | 302.62 kg     | SSB60UV1FTT2-E02 |
| 600 | 200  | 10          | 342.66 kg     | SSB60UV1KTT2-E02 |
| 700 | 150  | 10 16       | 563.14 kg     | SSB70UD1JTT-E02  |

| DN   | Ø dn | PN    | Weight of Kit | References      |
|------|------|-------|---------------|-----------------|
| 700  | 150  | 25 40 | 563.94 kg     | SSB70UD3JTT-E02 |
| 700  | 200  | 10    | 565.94 kg     | SSB70UD1KTT-E02 |
| 700  | 200  | 16    | 565.94 kg     | SSB70UD2KTT-E02 |
| 700  | 400  | 10    | 647.94 kg     | SSB70UD1NTT-E02 |
| 700  | 400  | 16    | 651.94 kg     | SSB70UD2NTT-E02 |
| 700  | 600  | 10    | 774.94 kg     | SSB70UD1RTT-E02 |
| 700  | 600  | 16    | 799.94 kg     | SSB70UD2RTT-E02 |
| 700  | 600  | 25    | 802.94 kg     | SSB70UD3RTT-E02 |
| 800  | 150  | 10 16 | 710.14 kg     | SSB80UD1JTT-E02 |
| 800  | 150  | 25 40 | 711.14 kg     | SSB80UD3JTT-E02 |
| 800  | 200  | 10    | 713.14 kg     | SSB80UD1KTT-E02 |
| 800  | 200  | 16    | 714.14 kg     | SSB80UD2KTT-E02 |
| 800  | 250  | 10    | 728.14 kg     | SSB80UV1LTT-E02 |
| 800  | 400  | 10    | 808.14 kg     | SSB80UD1NTT-E02 |
| 800  | 400  | 16    | 813.14 kg     | SSB80UD2NTT-E02 |
| 800  | 600  | 10    | 995.14 kg     | SSB80UD1RTT-E02 |
| 800  | 600  | 16    | 1020.14 kg    | SSB80UD2RTT-E02 |
| 900  | 200  | 10    | 897.22 kg     | SSB90UD1KTT-E02 |
| 900  | 200  | 16    | 896.22 kg     | SSB90UD2KTT-E02 |
| 900  | 400  | 10    | 1009.22 kg    | SSB90UD1NTT-E02 |
| 900  | 400  | 16    | 1013.22 kg    | SSB90UD2NTT-E02 |
| 900  | 600  | 10    | 1275.22 kg    | SSB90UD1RTT-E02 |
| 900  | 600  | 16    | 1300.22 kg    | SSB90UD2RTT-E02 |
| 1000 | 150  | 10 16 | 977.98 kg     | SSC10UD1JTT-E02 |
| 1000 | 200  | 10    | 1040.98 kg    | SSC10UD1KTT-E02 |
| 1000 | 200  | 16    | 1040.98 kg    | SSC10UD2KTT-E02 |
| 1000 | 250  | 10    | 1050.98 kg    | SSC10UV1LTT-E02 |
| 1000 | 250  | 16    | 1049.98 kg    | SSC10UV2LTT-E02 |
| 1000 | 400  | 10    | 1169.98 kg    | SSC10UD1NTT-E02 |
| 1000 | 400  | 16    | 1174.98 kg    | SSC10UD2NTT-E02 |
| 1000 | 600  | 10    | 1537.98 kg    | SSC10UD1RTT-E02 |
| 1000 | 600  | 16    | 1562.98 kg    | SSC10UD2RTT-E02 |

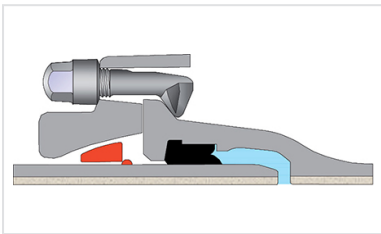
Standard Flanged Socket

| DN   | PN | Weight of Kit | References       |
|------|----|---------------|------------------|
| 350  | 10 | 91.89 kg      | SSB35BE10TT2-E02 |
| 350  | 16 | 93.04 kg      | SSB35BE20TT2-E02 |
| 350  | 25 | 98.92 kg      | SSB35BE30TT2-E02 |
| 400  | 10 | 111.24 kg     | SSB40BE10TT2-E02 |
| 400  | 16 | 176.03 kg     | SSB40BE20TT2-E02 |
| 400  | 25 | 125.42 kg     | SSB40BE30TT2-E02 |
| 450  | 10 | 131.76 kg     | SSB45BE10TT2-E02 |
| 450  | 16 | 136.8 kg      | SSB45BE20TT2-E02 |
| 450  | 25 | 146.98 kg     | SSB45BE30TT2-E02 |
| 500  | 10 | 172.25 kg     | SSB50BE10TT2-E02 |
| 500  | 16 | 185.9 kg      | SSB50BE20TT2-E02 |
| 500  | 25 | 192.2 kg      | SSB50BE30TT2-E02 |
| 600  | 10 | 213.7 kg      | SSB60BE10TT2-E02 |
| 600  | 16 | 239.95 kg     | SSB60BE20TT2-E02 |
| 600  | 25 | 243.1 kg      | SSB60BE30TT2-E02 |
| 700  | 10 | 311.47 kg     | SSB70BE10TT-E02  |
| 700  | 16 | 316.47 kg     | SSB70BE20TT-E02  |
| 700  | 25 | 346.62 kg     | SSB70BE30TT-E02  |
| 800  | 10 | 400.07 kg     | SSB80BE10TT-E02  |
| 800  | 16 | 409.07 kg     | SSB80BE20TT-E02  |
| 900  | 10 | 496.61 kg     | SSB90BE10TT-E02  |
| 900  | 16 | 506.61 kg     | SSB90BE20TT-E02  |
| 1000 | 10 | 607.49 kg     | SSC10BE10TT-E02  |
| 1000 | 16 | 624.49 kg     | SSC10BE20TT-E02  |

| DN<br>mm | Class | PFA<br>bar |
|----------|-------|------------|
| 350      | C30   | 27         |
| 400      | C30   | 25         |
| 450      | C30   | 23         |
| 500      | C30   | 22         |
| 600      | C30   | 20         |
| 700      | C25   | 20         |

| DN<br>mm | Class | PFA<br>bar |
|----------|-------|------------|
| 800      | C25   | 16         |
| 900      | C25   | 16         |
| 1000     | C25   | 16         |
| 1100     | C25   | 16         |
| 1200     | C25   | 16         |

## Linked products



STD Ve joint for fittings  
DN80-1200

*The information on this sketch is, to the best of our knowledge correct at the time of printing. However Saint-Gobain are constantly looking at ways of improving their products and services therefore reserve the right to change without prior notice, any of the data shown. Any orders placed will be subject to our Standard Conditions of Sale, available on request.*