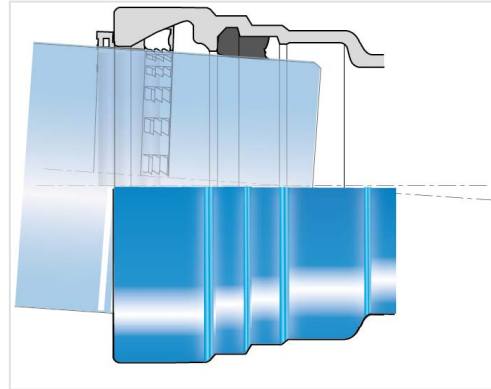


Kit Universal Standard Fitting PECEB + Universal Standard Vi Joint



Universal Standard Bend

DN	Angle	Weight of Kit	References
80	45°	11 kg	SFA80CB00TT-E06
80	22°30	15.4 kg	SFA80CD00TT-E06
80	11°15	15.1 kg	SFA80CE00TT-E06
100	45°	18.8 kg	SFB10CB00TT-E06
100	22°30	17.9 kg	SFB10CD00TT-E06
100	11°15	17.8 kg	SFB10CE00TT-E06
125	11°15	17.5 kg	SFB12CE00TT-E06
150	45°	28.2 kg	SFB15CB00TT-E06
150	22°30	26.8 kg	SFB15CD00TT-E06
150	11°15	26.2 kg	SFB15CE00TT-E06
200	90°	49.54 kg	SFB20CA00TT-E06
200	45°	42.74 kg	SFB20CB00TT-E06
200	30°	40.34 kg	SFB20CC00TT-E06
200	22°30	38.44 kg	SFB20CD00TT-E06
200	11°15	37.64 kg	SFB20CE00TT-E06
250	90°	67.02 kg	SFB25CA00TT-E06
250	45°	56.72 kg	SFB25CB00TT-E06
250	30°	53.52 kg	SFB25CC00TT-E06
250	22°30	52.62 kg	SFB25CD00TT-E06
250	11°15	50.32 kg	SFB25CE00TT-E06
300	90°	97.98 kg	SFB30CA00TT-E06

DN	Angle	Weight of Kit	References
300	45°	81.38 kg	SFB30CB00TT-E06
300	30°	77.98 kg	SFB30CC00TT-E06
300	22°30	74.48 kg	SFB30CD00TT-E06
300	11°15	68.68 kg	SFB30CE00TT-E06
400	90°	146.56 kg	SFB40CA00TT-E06
400	45°	118.76 kg	SFB40CB00TT-E06
400	30°	107.56 kg	SFB40CC00TT-E06
400	22°30	103.36 kg	SFB40CD00TT-E06
400	11°15	92.56 kg	SFB40CE00TT-E06
500	90°	242.86 kg	SFB50CA00TT-E06
500	45°	183.96 kg	SFB50CB00TT-E06
500	30°	172.16 kg	SFB50CC00TT-E06
500	22°30	169.16 kg	SFB50CD00TT-E06
500	11°15	147.16 kg	SFB50CE00TT-E06
600	90°	360.62 kg	SFB60CA00TT-E06
600	45°	294.32 kg	SFB60CB00TT-E06
600	30°	244.62 kg	SFB60CC00TT-E06
600	22°30	232.32 kg	SFB60CD00TT-E06
600	11°15	201.32 kg	SFB60CE00TT-E06

Universal Standard Taper

DN	Ø dn	Weight of Kit	References
150	100	21 kg	SFB15VE0FTT-E06
250	200	41.98 kg	SFB25VE0KTT-E06
400	300	90.27 kg	SFB40VE0MTT-E06
500	400	131.86 kg	SFB50VE0NTT-E06

Universal All Socket Tee

DN	Ø dn	Weight of Kit	References
100	100	25.4 kg	SFB10TE0FTT-E06
150	100	34.4 kg	SFB15TE0FTT-E06
150	150	40 kg	SFB15TE0JTT-E06
200	100	48.24 kg	SFB20TE0FTT-E06
250	250	81.33 kg	SFB25TE0LTT-E06
300	100	82.38 kg	SFB30TE0FTT-E06

Universal Double Socket Tee

DN	Ø dn	PN	Weight of Kit	References
100	80	10 16 25 40	22 kg	SFB10UD1ETT-E06
100	100	10 16	23.3 kg	SFB10UD1FTT-E06
100	100	25 40	23.8 kg	SFB10UD3FTT-E06
125	80	10 16 25 40	22.5 kg	SFB12UD1ETT-E06
150	100	10 16	32.6 kg	SFB15UD1FTT-E06
150	150	10 16	37.6 kg	SFB15UD1JTT-E06
200	80	10 16 25 40	44.64 kg	SFB20UD1ETT-E06
200	100	10 16	46.74 kg	SFB20UD1FTT-E06
200	100	25 40	47.24 kg	SFB20UD3FTT-E06
200	200	16	58.74 kg	SFB20UD2KTT-E06
250	100	25 40	61.46 kg	SFB25UD3FTT-E06
250	250	16	82.42 kg	SFB25UD2LTT-E06
300	80	10 16 25 40	72.48 kg	SFB30UD1ETT-E06
300	100	10 16	82.88 kg	SFB30UD1FTT-E06
300	100	25 40	83.38 kg	SFB30UD3FTT-E06
300	150	10 16	89.28 kg	SFB30UD1JTT-E06
300	300	16	111.98 kg	SFB30UD2MTT-E06
400	80	10 16 25 40	90.96 kg	SFB40UD1ETT-E06
400	100	10 16	93.56 kg	SFB40UD1FTT-E06
400	100	25 40	94.56 kg	SFB40UD3FTT-E06
400	150	25 40	110.76 kg	SFB40UD3JTT-E06
400	400	10	180.24 kg	SFB40UD1NTT-E06
500	80	10 16 25 40	157.86 kg	SFB50UD1ETT-E06
500	100	10 16	155.16 kg	SFB50UD1FTT-E06
500	150	10 16	174.16 kg	SFB50UD1JTT-E06
500	200	10	188.16 kg	SFB50UD1KTT-E06
500	200	16	188.06 kg	SFB50UD2KTT-E06
500	300	10	205.46 kg	SFB50UD1MTT-E06
500	300	16	204.76 kg	SFB50UD2MTT-E06
500	400	16	239.96 kg	SFB50UD2NTT-E06
500	500	10	358.16 kg	SFB50UD1QTT-E06
500	500	16	371.16 kg	SFB50UD2QTT-E06
600	100	10 16	238.12 kg	SFB60UD1FTT-E06

DN	Ø dn	PN	Weight of Kit	References
600	150	10 16	239.48 kg	SFB60UD1JTT-E06
600	150	25 40	241.52 kg	SFB60UD3JTT-E06
600	200	10	247.32 kg	SFB60UD1KTT-E06
600	200	16	247.32 kg	SFB60UD2KTT-E06
600	250	16	294.52 kg	SFB60UD2LTT-E06
600	300	10	305.32 kg	SFB60UD1MTT-E06
600	300	16	305.32 kg	SFB60UD2MTT-E06
600	400	16	317.12 kg	SFB60UD2NTT-E06
600	600	10	395.32 kg	SFB60UD1RTT-E06
600	600	16	420.32 kg	SFB60UD2RTT-E06

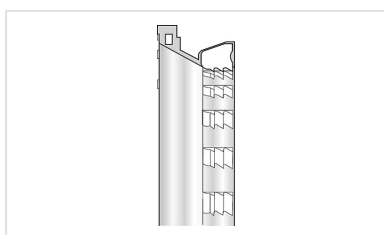
Universal Flanged Socket

DN	PN	Weight of Kit	References
100	10 16	11.7 kg	SFB10BE10TT-E06
100	25 40	12.71 kg	SFB10BE30TT-E06
125	10 16	12 kg	SFB12BE10TT-E06
150	10 16	21.9 kg	SFB15BE10TT-E06
150	25 40	19.61 kg	SFB15BE30TT-E06
200	10	26.27 kg	SFB20BE10TT-E06
200	16	26.27 kg	SFB20BE20TT-E06
200	25	29.47 kg	SFB20BE30TT-E06
250	10	35.81 kg	SFB25BE10TT-E06
250	16	35.81 kg	SFB25BE20TT-E06
250	25	40.98 kg	SFB25BE30TT-E06
250	40	44.11 kg	SFB25BE40TT-E06
300	10	49.49 kg	SFB30BE10TT-E06
300	16	49.49 kg	SFB30BE20TT-E06
300	25	52.19 kg	SFB30BE30TT-E06
300	40	78.89 kg	SFB30BE40TT-E06
400	10	64.88 kg	SFB40BE10TT-E06
400	16	64.52 kg	SFB40BE20TT-E06
400	25	73.52 kg	SFB40BE30TT-E06
500	10	114.08 kg	SFB50BE10TT-E06
500	16	91.82 kg	SFB50BE20TT-E06
500	25	97.82 kg	SFB50BE30TT-E06

DN	PN	Weight of Kit	References
600	10	166.16 kg	SFB60BE10TT-E06
600	16	191.16 kg	SFB60BE20TT-E06
600	25	194.16 kg	SFB60BE30TT-E06

DN mm	PFA bar
80	100
100	56
125	52
150	48
200	43
250	39
300	34
400	20
500	16
600	16
700	10

Linked products



UNI STD Vi joint for Pipes and Fittings DN80-700

The information on this sketch is, to the best of our knowledge correct at the time of printing. However Saint-Gobain are constantly looking at ways of improving their products and services therefore reserve the right to change without prior notice, any of the data shown. Any orders placed will be subject to our Standard Conditions of Sale, available on request.