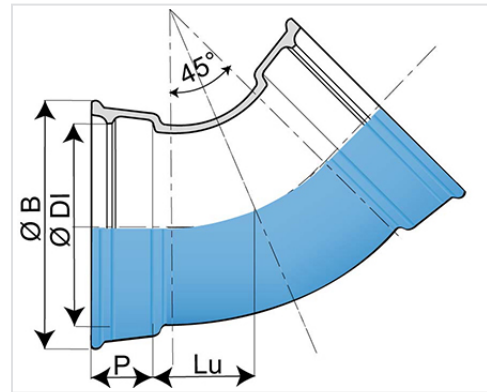
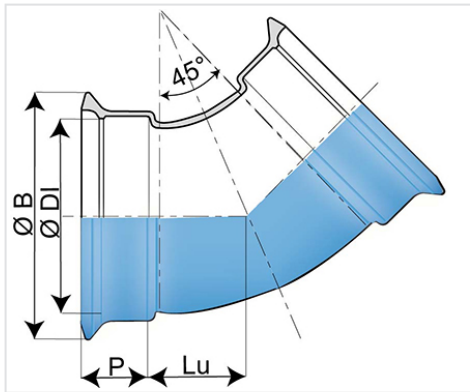


Bend 45° (1/8) NATURAL with 2 sockets EXPRESS



Angle	DN (mm)	Lu (mm)	P (mm)	ØDI (mm)	ØB (mm)	Mass (kg)	References
45°	60	76	76	80.3	143.5	6.70	NEA60CB00NN2
45°	80	56.5	79	101.4	167.5	8.10	NEA80CB00NN2
45°	100	60	80	121.4	187.5	6.00	NEB10CB00NN2
45°	125	65	83	147.4	214.5	7.60	NEB12CB00NN2
45°	150	75	86	173.4	241.5	9.50	NEB15CB00NN2
45°	200	95	92	225.5	294.5	14.60	NEB20CB00NN2
45°	250	115	100	276.8	351	25.90	NEB25CB00NN2
45°	300	150	105	328.8	408.2	35.60	NEB30CB00NN2

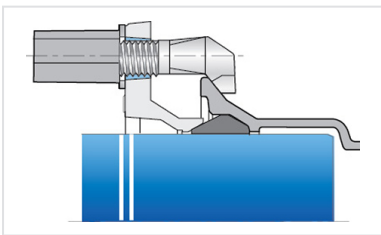
Field of use:

- For drinking water networks
- The scope of use of Aquacoat® fittings in soils is equivalent to that of Natural Biozinalium® pipes, it is suitable for the majority of soils, as defined in appendix D.2.2 of standard EN545:2010. exception :
 - peaty and acidic soils
 - soils containing waste, ashes, slag or contaminated by certain waste or industrial effluents
 - soils located below the level of the marine water table having a resistivity less than 500 Ω cm
- In such soils, or in other aggressive environments, or in the event of stray currents, it is recommended to use other, more suitable types of coatings.

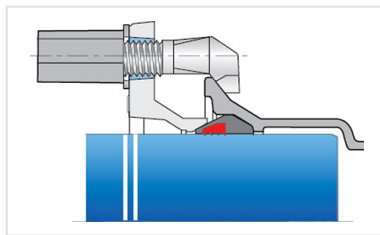
Main characteristics:

- Inside-Outside coating: Aquacoat fittings (AQB) without Bisphenol
- In conformity with EN 545:2010 and ISO 2531:2009

Linked products



Kit Express Fittings AQB +
Express Gasket



Kit Express Fitting AQB +
Express Vi Gasket

The information on this sketch is, to the best of our knowledge correct at the time of printing. However Saint-Gobain are constantly looking at ways of improving their products and services therefore reserve the right to change without prior notice, any of the data shown. Any orders placed will be subject to our Standard Conditions of Sale, available on request.