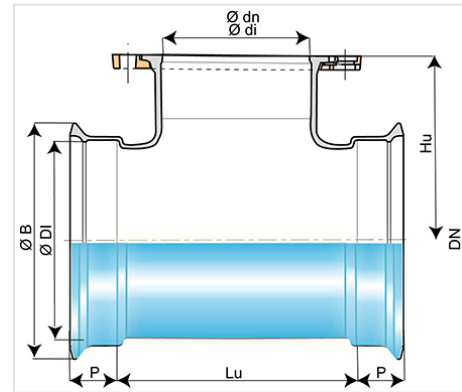
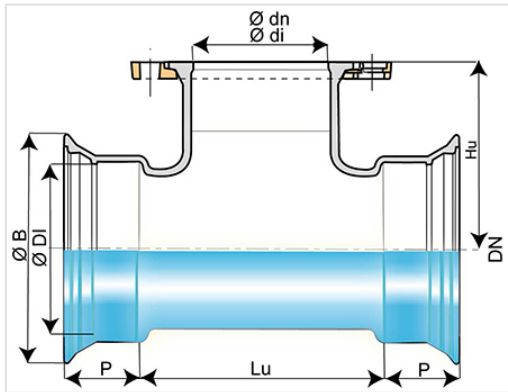


Tee NATURAL with 2 sockets EXPRESS and Rotatable Flange branch



DN (mm)	Ødn (mm)	Lu (mm)	Hu (mm)	P (mm)	ØDI (mm)	ØB (mm)	PN 10		PN 16		PN 25	
							Mass (kg)	References	Mass (kg)	References	Mass (kg)	References
60	40	154	141	76	80.3	143.5	9.00	NEA60UD1ANN2	9.00	NEA60UD1ANN2	9.00	NEA60UD1ANN2
60	60	154	161	76	80.3	143.5	9.87	NEA60UD1CNN2	9.87	NEA60UD1CNN2	9.90	NEA60UD3CNN2
60	65	154	161	76	80.3	143.5	10.46	NEA60UD1DNN2	10.46	NEA60UD1DNN2	10.90	NEA60UD3DNN2
80	40	145	149	79	101.4	167.5	10.80	NEA80UD1ANN2	10.80	NEA80UD1ANN2	10.80	NEA80UD1ANN2
80	60	145	169	79	101.4	167.5	11.27	NEA80UD1CNN2	11.27	NEA80UD1CNN2	11.30	NEA80UD3CNN2
80	65	145	174	79	101.4	167.5	11.86	NEA80UD1DNN2	11.86	NEA80UD1DNN2	12.30	NEA80UD3DNN2
80	80	183	165	79	101.4	167.5	13.27	NEA80UD1ENN2	13.27	NEA80UD1ENN2	13.27	NEA80UD1ENN2
100	40	150	161	80	121.4	187.5	12.70	NEB10UD1ANN2	12.70	NEB10UD1ANN2	12.70	NEB10UD1ANN2
100	60	150	181	80	121.4	187.5	13.77	NEB10UD1CNN2	13.77	NEB10UD1CNN2	13.80	NEB10UD3CNN2
100	65	150	186	80	121.4	187.5	14.36	NEB10UD1DNN2	14.36	NEB10UD1DNN2	14.80	NEB10UD3DNN2
100	80	185	177	80	121.4	187.5	15.37	NEB10UD1ENN2	15.37	NEB10UD1ENN2	15.37	NEB10UD1ENN2
100	100	210	180	80	121.4	187.5	16.60	NEB10UD1FNN2	16.60	NEB10UD1FNN2	17.80	NEB10UD3FNN2
125	40	150	164	83	147.4	214.5	15.30	NEB12UD1ANN2	15.30	NEB12UD1ANN2	15.30	NEB12UD1ANN2
125	60	150	184	83	147.4	214.5	16.57	NEB12UD1CNN2	16.57	NEB12UD1CNN2	16.60	NEB12UD3CNN2
125	65	150	184	83	147.4	214.5	17.16	NEB12UD1DNN2	17.16	NEB12UD1DNN2	17.60	NEB12UD3DNN2
125	80	165	195	83	147.4	214.5	18.27	NEB12UD1ENN2	18.27	NEB12UD1ENN2	18.27	NEB12UD1ENN2
125	100	190	200	83	147.4	214.5	19.60	NEB12UD1FNN2	19.60	NEB12UD1FNN2	20.80	NEB12UD3FNN2
125	125	267	200	83	147.4	214.5	22.13	NEB12UD1GNN2	22.13	NEB12UD1GNN2	23.80	NEB12UD3GNN2
150	40	154	176	86	173.4	241.5	18.40	NEB15UD1ANN2	18.40	NEB15UD1ANN2	18.40	NEB15UD1ANN2
150	60	154	196	86	173.4	241.5	19.77	NEB15UD1CNN2	19.77	NEB15UD1CNN2	19.80	NEB15UD3CNN2
150	65	154	201	86	173.4	241.5	20.36	NEB15UD1DNN2	20.36	NEB15UD1DNN2	20.80	NEB15UD3DNN2

DN (mm)	Ødn (mm)	Lu (mm)	Hu (mm)	P (mm)	ØDI (mm)	ØB (mm)	PN 10		PN 16		PN 25	
							Mass (kg)	References	Mass (kg)	References	Mass (kg)	References
150	80	165	210	86	173.4	241.5	21.67	NEB15UD1ENN2	21.67	NEB15UD1ENN2	21.67	NEB15UD1ENN2
150	100	190	215	86	173.4	241.5	23.20	NEB15UD1FNN2	23.20	NEB15UD1FNN2	24.40	NEB15UD3FNN2
150	125	220	210	86	173.4	241.5	25.83	NEB15UD1GNN2	25.83	NEB15UD1GNN2		
150	150	305	220	86	173.4	241.5	28.56	NEB15UD1JNN2	28.56	NEB15UD1JNN2	30.60	NEB15UD3JNN2
200	40	159	209	92	225.5	294.5	25.10	NEB20UD1ANN2	25.10	NEB20UD1ANN2	25.10	NEB20UD1ANN2
200	60	159	229	92	225.5	294.5	26.87	NEB20UD1CNN2	26.87	NEB20UD1CNN2	26.90	NEB20UD3CNN2
200	65	159	234	92	225.5	294.5	27.46	NEB20UD1DNN2	27.46	NEB20UD1DNN2	27.90	NEB20UD3DNN2
200	80	170	240	92	225.5	294.5	29.17	NEB20UD1ENN2	29.17	NEB20UD1ENN2	29.17	NEB20UD1ENN2
200	100	195	245	92	225.5	294.5	29.30	NEB20UD1FNN2	29.30	NEB20UD1FNN2	30.50	NEB20UD3FNN2
200	150	250	245	92	225.5	294.5	37.16	NEB20UD1JNN2	37.16	NEB20UD1JNN2	39.20	NEB20UD3JNN2
200	200	360	260	92	225.5	294.5	45.40	NEB20UD1KNN2	45.30	NEB20UD2KNN2	46.80	NEB20UD3KNN2
250	60	165	260	100	277.8	351.1	27.90	NEB25UD1CNN2	27.90	NEB25UD1CNN2	27.50	NEB25UD3CNN2
250	65	164	272	100	276.8	351	28.06	NEB25UD1DNN2	28.06	NEB25UD1DNN2	39.80	NEB25UD3DNN2
250	80	234	250	100	276.8	351	27.80	NEB25UD1ENN2	27.80	NEB25UD1ENN2	27.80	NEB25UD1ENN2
250	100	200	274	100	276.8	351	29.50	NEB25UV1FNN2	29.50	NEB25UV1FNN2	30.70	NEB25UV3FNN2
250	150	235	280	100	277.8	351.1	39.40	NEB25UD1JNN2	39.40	NEB25UD1JNN2	41.40	NEB25UD3JNN2
250	200	290	290	100	277.8	351.1	47.40	NEB25UD1KNN2	47.60	NEB25UD2KNN2	48.90	NEB25UD3KNN2
250	250	350	300	100	277.8	351.1	56.20	NEB25UD1LNN2	56.20	NEB25UD2LNN2	58.90	NEB25UD3LNN2
300	60	237	297	105	328.8	408.2	41.10	NEB30UD1CNN2	41.10	NEB30UD1CNN2	40.70	NEB30UD3CNN2
300	65	237	297	105	328.8	408.2	56.96	NEB30UD1DNN2	56.96	NEB30UD1DNN2		
300	80	155	295	110	329.8	407.5	40.90	NEB30UD1ENN2	40.90	NEB30UD1ENN2	40.90	NEB30UD1ENN2
300	100	205	302	105	328.8	408.2	35.99	NEB30UV1FNN2	35.99	NEB30UV1FNN2	37.19	NEB30UV3FNN2
300	150	235	310	110	329.8	407.5	49.20	NEB30UD1JNN2	49.20	NEB30UD1JNN2	51.20	NEB30UD3JNN2
300	200	295	320	110	329.8	407.5	58.70	NEB30UD1KNN2	58.90	NEB30UD2KNN2	60.20	NEB30UD3KNN2
300	250	380	330	110	329.8	407.5	68.30	NEB30UD1LNN2	68.30	NEB30UD2LNN2	71.00	NEB30UD3LNN2
300	300	410	340	110	329.8	407.5	79.50	NEB30UD1MNN2	79.00	NEB30UD2MNN2	82.60	NEB30UD3MNN2

Field of use:

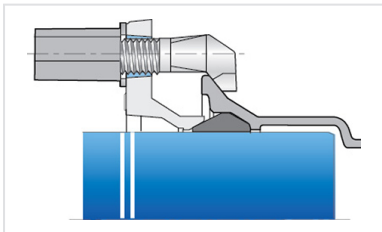
- For drinking water networks
- The scope of use of Aquacoat® fittings in soils is equivalent to that of Natural Biozinalium® pipes, it is suitable for the majority of soils, as defined in appendix D.2.2 of standard EN545:2010. exception :
 - peaty and acidic soils
 - soils containing waste, ashes, slag or contaminated by certain waste or industrial effluents

- soils located below the level of the marine water table having a resistivity less than 500 Ω cm
- In such soils, or in other aggressive environments, or in the event of stray currents, it is recommended to use other, more suitable types of coatings.

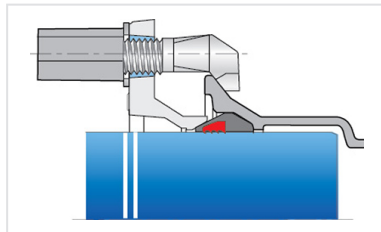
Main characteristics:

- Inside-Outside coating: Aquacoat fittings (AQB) without Bisphenol
- In conformity with EN 545:2010 and ISO 2531:2009

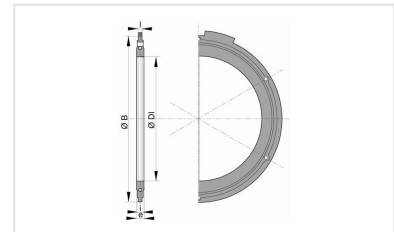
Linked products



Kit Express Fittings AQB +
 Express Gasket



Kit Express Fitting AQB +
 Express Vi Gasket



Flanged joint with
 metallized steel bolts and
 nuts

The information on this sketch is, to the best of our knowledge correct at the time of printing. However Saint-Gobain are constantly looking at ways of improving their products and services therefore reserve the right to change without prior notice, any of the data shown. Any orders placed will be subject to our Standard Conditions of Sale, available on request.