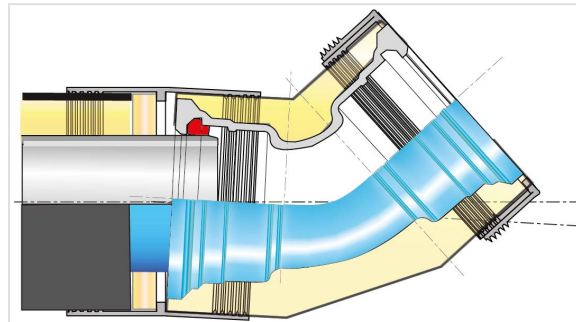


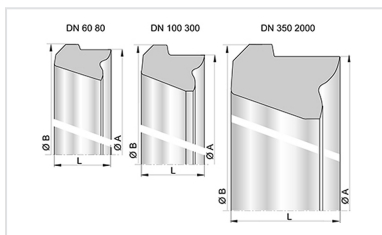
Kit ISOPAM Fitting + Standard Gasket



DN	Weight of Kit	References
100	15.7 kg	YSB10CA-E00
100	15.4 kg	YSB10CB-E00
100	12 kg	YSB10CD-E00
125	20.98 kg	YSB12CB-E00
125	15.18 kg	YSB12CD-E00
150	30.08 kg	YSB15CA-E00
150	26.48 kg	YSB15CB-E00
150	18.13 kg	YSB15CD-E00
200	48.26 kg	YSB20CA-E00
200	38.86 kg	YSB20CB-E00
200	32.36 kg	YSB20CD-E00
250	65.8 kg	YSB25CA-E00
250	54 kg	YSB25CB-E00
300	56.52 kg	YSB30CD-E00
100	12.1 kg	YSB10CE-E00
125	15.58 kg	YSB12CE-E00
150	18.48 kg	YSB15CE-E00
200	33.46 kg	YSB20CE-E00
250	42 kg	YSB25CE-E00

DN mm	Class	PFA bar
100	C40	40
125	C40	40
150	C40	40
200	C40	40
250	C40	40
300	C40	40

Linked products



Standard gasket for Pipes and Fittings DN60-2000

The information on this sketch is, to the best of our knowledge correct at the time of printing. However Saint-Gobain are constantly looking at ways of improving their products and services therefore reserve the right to change without prior notice, any of the data shown. Any orders placed will be subject to our Standard Conditions of Sale, available on request.