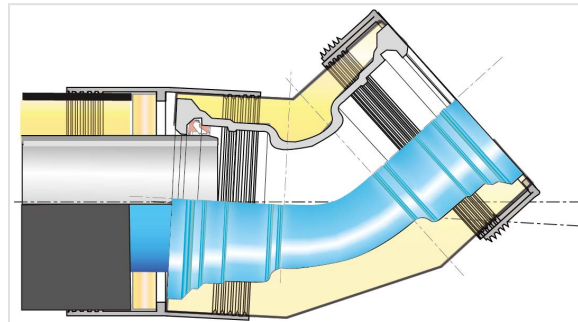
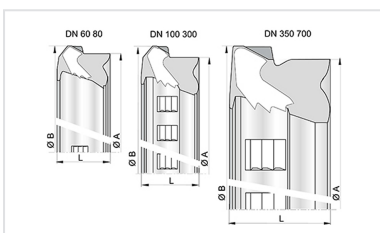


Kit ISOPAM Fitting + Standard Vi Gasket



DN mm	Class	PFA bar
100	C40	16
125	C40	16
150	C40	16
200	C40	16
250	C40	16
300	C40	16

Linked products



STD Vi gasket for Pipes and
Fittings DN60-700

The information on this sketch is, to the best of our knowledge correct at the time of printing. However Saint-Gobain are constantly looking at ways of improving their products and services therefore reserve the right to change without prior notice, any of the data shown. Any orders placed will be subject to our Standard Conditions of Sale, available on request.