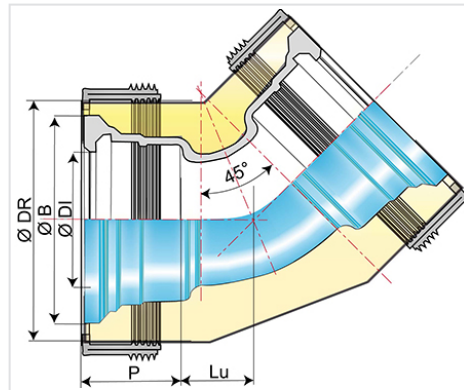


Bend 45° (1/8) ISOPAM with 2 sockets STANDARD



Angle	DN (mm)	Lu (mm)	P (mm)	ØDI (mm)	ØB (mm)	ØDR (mm)	Mass (kg)	References
45°	100	65	88	121.4	187.5	200	15.00	YSB10CB
45°	125	83.5	91	147.4	214.5	225	20.50	YSB12CB
45°	150	92.5	94	173.4	241	250	25.90	YSB15CB
45°	200	100	100	225.5	294	315	38.10	YSB20CB
45°	250	136	105	277.3	351	400	53.00	YSB25CB

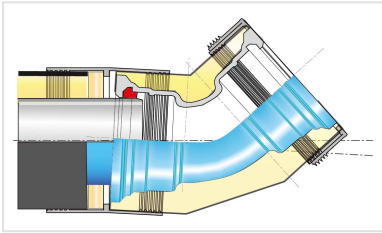
Field of use:

- Pre-insulated fittings for frost protection

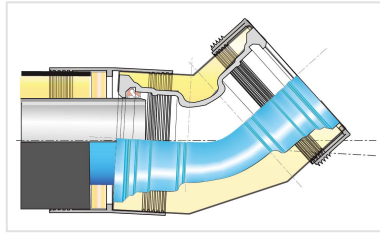
Main characteristics:

- Inside-Outside coating: Aquacoat fittings (AQB)
- EN 545
- Fittings equipped with thermal insulation (polyethylene sleeve, polyurethane foam, foam spacer, elastomer sleeve) to protect networks exposed to risks of freezing

Linked products



Kit ISOPAM Fitting +
Standard Gasket



Kit ISOPAM Fitting +
Standard Vi Gasket

The information on this sketch is, to the best of our knowledge correct at the time of printing. However Saint-Gobain are constantly looking at ways of improving their products and services therefore reserve the right to change without prior notice, any of the data shown. Any orders placed will be subject to our Standard Conditions of Sale, available on request.