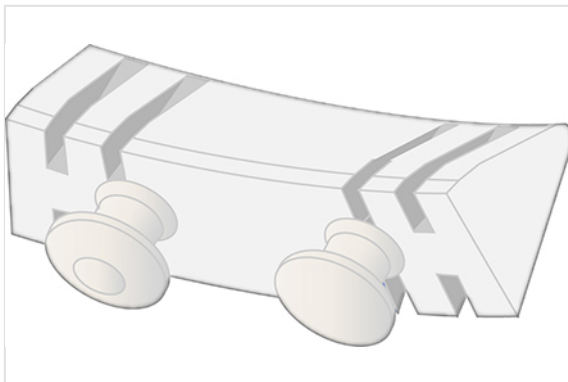
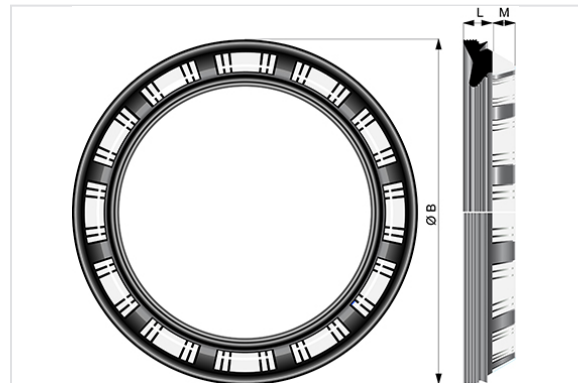


## IZIFIT Gasket



DN/OD (mm)	L (mm)	M (mm)	ØB (mm)	Mass (kg)	References
75	13.8	8.5	100.2	0.06	JIL75BA
90	13.7	8.4	116	0.07	JIL90BA
110	13.7	9.4	136.3	0.08	JIM11BA
125	16.5	8.9	153.8	0.11	JIM12BA

### Field of use:

- For drinking water supply networks and connection with plastics piping systems for water transport under pressure in PVC-U or PVC-BO
- EPDM has an "Attestation de Conformité Sanitaire" in France (ACS), WRAS and DWI agreements in UK, DVGW agreement in Germany

### Main characteristics:

- Elastomer quality: EPDM
- Plastic sector

*The information on this sketch is, to the best of our knowledge correct at the time of printing. However Saint-Gobain are constantly looking at ways of improving their products and services therefore reserve the right to change without prior notice, any of the data shown. Any orders placed will be subject to our Standard Conditions of Sale, available on request.*