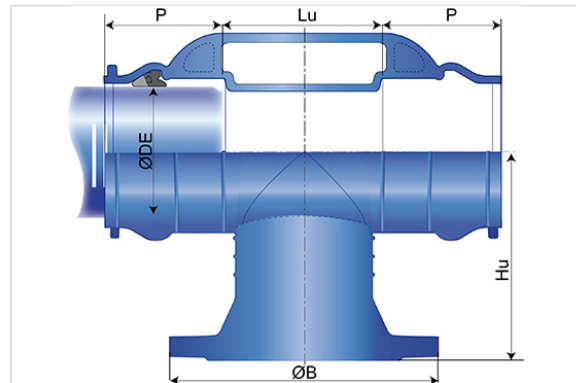


Tee IZIFIT with 2 sockets and Fixed Flange branch



with IZIFIT gasket included

DN/OD (mm)	ØDE (mm)	DN flange	P (mm)	Lu (mm)	Hu (mm)	ØB (mm)	Mass (kg)	References
75	75X40	40 mm	87	60	130	150	5.80	KTL75TD1A
75	75X60	60 mm	87	85	140	175	7.80	KTL75TD1C
75	75X65	65 mm	87	85	140	185	8.20	KTL75TD1D
90	90X40	40 mm	92.5	65	135	150	6.80	KTL90TD1A
90	90X60	60 mm	92.5	90	155	175	8.60	KTL90TD1C
90	90X80	80 mm	92.5	105	160	200	9.40	KTL90TD1E
110	110X40	40 mm	99	65	145	150	7.60	KTM11TD1A
110	110X60	60 mm	99	90	165	175	9.40	KTM11TD1C
110	110X65	65 mm	99	90	160	185	9.50	KTM11TD1D
110	110X80	80 mm	99	105	170	200	11.00	KTM11TD1E
110	110X100	100 mm	99	125	170	220	12.20	KTM11TD1F
125	125X40	40 mm	104	65	160	150	9.20	KTM12TD1A
125	125X60	60 mm	104	90	160	175	10.80	KTM12TD1C
125	125X80	80 mm	104	105	170	200	11.50	KTM12TD1E
125	125X100	100 mm	104	125	180	220	12.20	KTM12TD1F
125	125X125	125 mm	104	150	180	250	15.00	KTM12TD1G

with IZIFIT Vi anchored gasket included

DN/OD	Ø DE	DN flange	P	Lu	Hu	Ø B	Mass	References
75 mm	75X60 mm	60 mm	87 mm	85 mm	140 mm	175 mm	7.80 kg	KVL75TD1C
90 mm	90X60 mm	60 mm	92.5 mm	90 mm	155 mm	175 mm	8.60 kg	KVL90TD1C
110 mm	110X40 mm	40 mm	99 mm	65 mm	145 mm	150 mm	7.60 kg	KVM11TD1A
110 mm	110X60 mm	60 mm	99 mm	90 mm	165 mm	175 mm	9.40 kg	KVM11TD1C
110 mm	110X65 mm	65 mm	99 mm	90 mm	160 mm	185 mm	9.50 kg	KVM11TD1D
110 mm	110X100 mm	100 mm	99 mm	125 mm	170 mm	220 mm	12.20 kg	KVM11TD1F

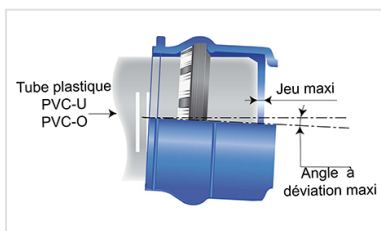
Field of use:

- For drinking water supply networks and connection with plastics piping systems for water transport under pressure in PVC-U, PE or PVC-BO
- All the constituent materials have "Attestation de Conformité Sanitaire" in France (ACS), WRAS and DWI agreements in UK, DVGW agreement in Germany

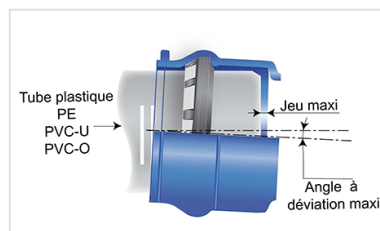
Main characteristics:

- Internal and external coating: blue epoxy powder (thickness 250 microns) according to EN 14901-1
- Joints in EPDM according to EN 681-1
- For transport and storage, the joints are protected by plugs
- Conformity to EN12842: ductile iron fittings for PVC-U or PE piping systems
- Conformity to ISO 16631-2016: ductile iron fittings for PVC-U or PE piping systems
- Conformity to NF T 54-948: plastics piping systems for water transport under pressure - pipes made of biaxial oriented poly(vinyl chloride) (PVC-BO)

Linked products



IZIFIT Joint for plastics piping systems



IZIFIT anchored Vi Joint for plastics piping systems



IZIFIT SUPPLY, TREATMENT AND DISTRIBUTION DN 75 - 125

06/06/2026
WIZSF21IZF105

The information on this sketch is, to the best of our knowledge correct at the time of printing. However Saint-Gobain are constantly looking at ways of improving their products and services therefore reserve the right to change without prior notice, any of the data shown. Any orders placed will be subject to our Standard Conditions of Sale, available on request.