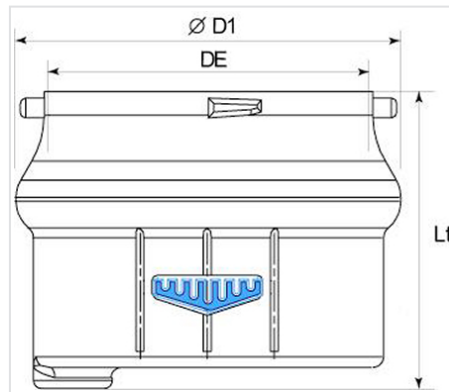


Plug IZIFIT-K



DN/OD (mm)	ØD1 (mm)	Lt (mm)	Mass (kg)	References
140	177	122	3.51	KZM14BH
160	199	128	4.24	KZM16BH

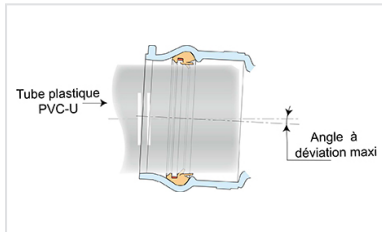
Field of use:

- Jointing of PVC-U pipes
- For potable water networks

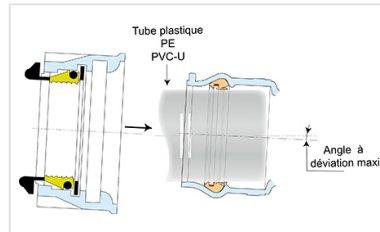
Main characteristics:

- EN 12842
- External and internal coating : Blue epoxy powder 250 microns average thickness with a minimum of 200 microns, conforming to EN 14901-1 (PECB)
- IZIFIT-K fittings are supplied with pre-fitted gaskets protected by caps
- Elastomer quality : EPDM (EN 681-1)

Linked products



IZIFIT-K Joint for plastics piping systems



IZIFIT-K anchored Vi Joint for plastics piping systems

The information on this sketch is, to the best of our knowledge correct at the time of printing. However Saint-Gobain are constantly looking at ways of improving their products and services therefore reserve the right to change without prior notice, any of the data shown. Any orders placed will be subject to our Standard Conditions of Sale, available on request.